

OPERATING INSTRUCTIONS
BEDIENUNGSANLEITUNG

HEATING TAPES
HEIZBÄNDER

SERIES
SERIE

IT-ITW-SS-M

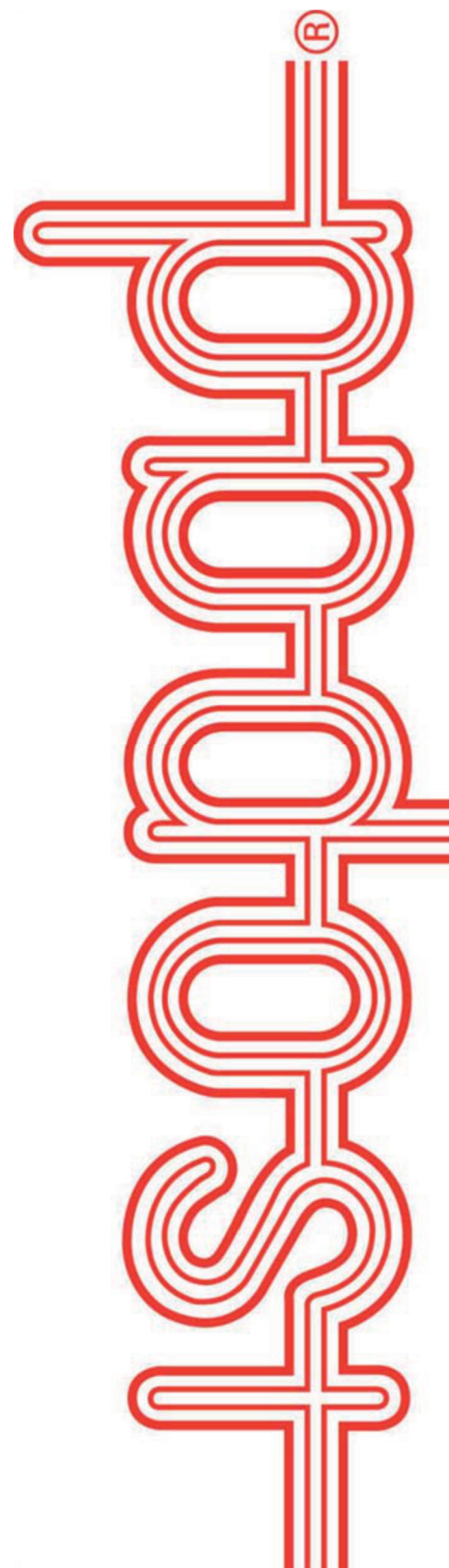


TABLE OF CONTENT / INHALTSVERZEICHNIS

ENGLISH	4
General Safety Instructions	4
General Product Information	5
Additional Safety Instruction (product related)	5
Product Design	6
Installation	6
Operation	7
Maintenance and Safety	7
Malfunction and Excessive Strain	8
Heated Media	8
Technical Data	10
DEUTSCH	11
Allgemeine Sicherheitshinweise	11
Allgemeine Produkt Informationen	12
Weitere Sicherheitshinweise (Produktbezogen)	12
Produktdesign	13
Installation	13
Inbetriebnahme	14
Wartung und Instandhaltung	15
Fehler und außergewöhnliche Belastung	15
Aufheizbare Medien	16
Technische Daten	17
Ordering Information / Bestellinformationen	18
EC Declaration of Conformity / EG Konformitätserklärung	19

Disclaimer

Important:

All information, including illustrations, is believed to be reliable. Users, however, should independently evaluate the suitability of each product for their particular application. CHROMALOX ISOPAD GMBH makes no warranties as to the accuracy or completeness of the information, and disclaims any liability regarding its use. CHROMALOX ISOPAD GMBH only obligations are those in the Standard Terms and Conditions of Sale for this product, and in no case will CHROMALOX ISOPAD GMBH or its distributors be liable for any incidental, indirect or consequential damages arising from the sale, resale, use or misuse of the product. Specifications are subject to change without notice. In addition, CHROMALOX ISOPAD GMBH reserves the right to make changes, without notification to the Buyer, to processing or materials that do not affect compliance with any applicable specification.

Haftungsausschluss

Wichtig:

Alle Angaben - einschließlich der Abbildungen und graphischen Darstellungen - entsprechen dem aktuellen Stand unserer Kenntnisse und sind nach bestem Wissen richtig und zuverlässig. Sie stellen jedoch keine verbindliche Eigenschaftszusicherung dar. Eine solche Zusicherung erfolgt nur über unsere Erzeugnisnormen. Der Anwender dieses Erzeugnisses muss in eigener Verantwortung über dessen Eignung für den vorgesehenen Einsatz entscheiden. Die Haftung für dieses Erzeugnis richtet sich ausschließlich nach den Liefer- und Zahlungsbedingungen von CHROMALOX ISOPAD GMBH und deren Vertriebspartner. CHROMALOX ISOPAD GMBH Spezifikationen können ohne Vorankündigung geändert werden. Zudem behält sich CHROMALOX ISOPAD GMBH das Recht vor, ohne Mitteilung an den Käufer an Werkstoffen oder Verarbeitungen Änderungen vorzunehmen, die die Einhaltung zutreffender Spezifikationen nicht beeinträchtigen.

ENGLISH

General Safety Instructions



ATTENTION!

This information needs to be considered during handling and operation of products with the following description:

ISOPAD Tapes (IT), Heating Tapes Series IT-ITW-SS-M

These will be referred as “product” throughout this manual for ease of context.

Please read the manual carefully ahead of use of these products. Follow the declaration on the type plate and the warning instructions at the product. Keep this manual for later appropriation! This manual needs to be held in charge apparently. The products can be operated only according to occupational health and safety law, regional safety regulations and instructions of the Accident Prevention & Insurance Association.

Please take these advices as part of the operating instructions of your QA-System Handbook. Handle these advices also like a manual. Never remove warning labels on the product!

This product had been designed and manufactured according to IEC 60519-1 and IEC 60519-2. Operation, installation, supply and maintenance of the product need to be realized in accordance with these standards!



ELECTRICAL EQUIPMENT!

These products represent electrical equipment! To prevent from danger caused by electric energy, an earth leakage current breaker (ELCB or RCD) has to be installed for protection purpose. This ELCB should represent a tripping current of 30mA.

To guard against electric shock, the products have to be maintained and services by authorized staff and users only!

Protection Class → see “Technical Data”

The protective arrangement of Protection Class I (protective earth) according to VDE 0100 (Germany) or to the relevant standards in your country is to be taken into consideration within the application for the product. Metallic components coming in contact with the product have to be incorporated in the protection measures of Protection Class I (protective earth). For details please refer to the standards VDE 0100 (Germany) or to the relevant standards in your country!

IP-Rating → see “Technical Data”

Infiltration of water or chemical components used for examinations, can lead to harmful electric shock. After a complete drying the product can be taken back into operation. Products which show bare heating conductors have been overheated and misused. This equipment has to be set off operation and safely stored to prevent from reuse. Reuse may lead to personal injury and needs to be avoided! Overheating of the product can be eliminated by power reduction by implementing power controllers between supply and application or by temperature control.



DO NOT TOUCH!

Never touch surface of product during operation or when ready for use! No needles or comparable parts to be injected into the product! This leads automatically to damage of heating conductor or other electrical parts and protection devices! Perilous injuries can result from this type of misuse.



ATTENTION! HOT!

These products contain electrical heating elements. Never touch in case of hot surface of the product or when the product is in operation. This affects also all metallic parts, which can reach high temperature during operation. There is danger of combustion.



INFLAMMATION AND EXPLOSION RISK!

The product is not explosion-proof. It should never be integrated into tempering processes where liquids handled may support explosions. This covers also applications where gas/air-mixtures may occur. The product must not be used to heat explosive media or those developing explosive gases when heated. The product must be installed only outside of hazardous locations.

General Product Information

The products consist of Polymer insulated heating cables for industrial use. Depending on the requirement they are designed with the following features:

- Layers of Polymer Insulation
- Additional Layers of Glass-fiber fabric
- Layers of metallic braid
- Metal Glands
- Additional temperature sensors and/or thermal protectors
- Additional controllers

- various operating voltages and performance ratings

They are used to heat-up, maintain and compensate heat losses on small or large objects, pipes, apparatus, laboratory equipment, etc. The maximum admissible product temperature varies in design and in the different insulation material. The maximum achievable withstand temperature, however, depends on the specific operating conditions. It may be influenced by the heat conductivity of the materials and media to be heated as well as by the throughput, the ambient temperature, the insulating material and the insulation thickness. ISOPAD offers a standard range of different versions but also versions tailored (manufactured to desired length) individually to the application.



Note:

For individual specifications please refer to the product label or type plate. In the case of installation difficulties or special requirements it is recommended to discuss and agree suitable installation procedures. In case of doubt or if necessary please contact us. (see last page for contact information)

Additional Safety Instruction (product related)



Attention!

When using electric surface heating equipment, basic safety precautions should be followed in order to prevent the occurrence of burns, electric shock, fire or injury to persons or animals.

The following safety notes have to be followed:

- The products are not suitable for use in applications where they may be subject to aggressive chemicals.
- Prior to connecting the heating to mains, please ensure that the mains voltage matches that indicated on the label.
- Check the suitability of the product for the maximum withstand temperature both

energized and de-energized (refer to the Technical Data in this manual and on the label).

- Care must be taken not to damage the product during installation.
- The product is electrical equipment. It must therefore be operated only by properly trained staff.
- Maintenance, connection and repair have to be performed by trained, specialized and qualified staff.
- Do not cross the product onto itself.
- Ensure good contact between the product and the surface of the component to be heated. Do not overlap.
- Do not use for any other purpose than intended.

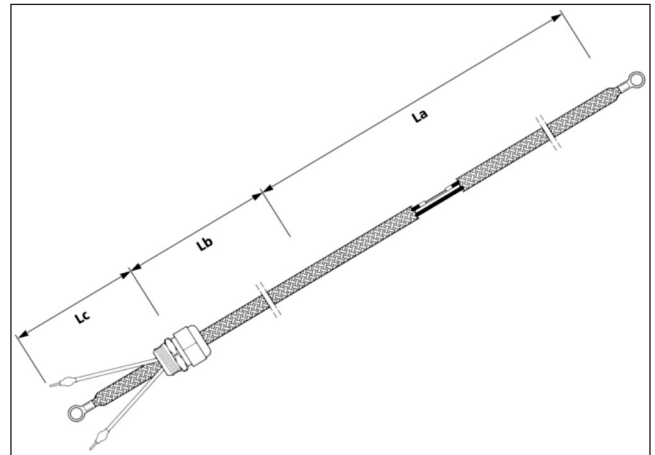
Product Design

The product consists of resistance heating wire which is embedded in Polymer Insulation with additional layers of glass fiber fabric. The outer layer consists of a metallic braid for mechanical and electrical protection. The product is pre-assembled with metal brass glands for ease of installation. The products are hot-terminated without any cold leads so it is critical to select a proper termination method or junction box suitable for the temperature range of the product. It is important to determine the right size (length) of the product. It should be chosen so it results in no overlapping or shortage when installed.

For your individual application or product selection assistance please contact us.
(see last page for contact information)

The product is determined by 3 sections:

- La = Heated Length, active part in contact with the object to be heated
- Lb = Warm Lead, not in contact with object to be heated (active heating cable to cable gland)
- Lc = Flexible Tail, for flexible assembly within junction box (cable gland to termination)



Product example

Installation

1. The product is placed or laid around or alongside the component to be heated and fastened using suitable tapes for the temperature range. Additional fixtures may be necessary to install your product properly. For assistance or guidance on installation methods please contact us.
2. The object surface has to be dry and clean (grease free). It must not be coated!
3. Ensure that the product is not excessively stressed or strained during installation. For minimum bending radius and spacing information refer to the technical data section.
4. When installing the product, make sure that it is in close and even contact with the entire surface of the object to be heated. Contactless sections will lead to overheating, lack of performance and possible destruction. When embedded in insulating material the effects are even more likely to occur.
5. The product must never overlap when it is placed or laid, otherwise the incurring inadmissible excess temperatures will defect or destroy it.
6. The product must not be placed or laid over sharp edges, corners or burrs. Non-observance of this provision may lead to damage of the product.
7. Ensure that the stated ingress protection (IP rating) is suitable for the environment of use.

For example, fabric insulated products are of low IP rating and should only be operated in dry areas.

8. The pre-assembled hot termination should be installed in such manners that the designed operating temperatures are not exceeded. Please refer to technical data section for information.
9. Never stick needles or sharp objects (or the like) in the product!
10. The product should be protected against mechanical damage by suitable coverings (e.g. insulation and metal sheeting)
11. The products are not of self-regulating or stabilized design. A suitable temperature sensor and controller has to be used to ensure that the maximum designed operating temperatures of the product as well as the object to be heated are not exceeded.
12. In case of additional safety matters a temperature limiting device may be installed to protect the application components from damage.



To prevent danger an RCD or ELCB has to be installed!



Caution:

To avoid external touching and damage, it is required that within the application the product (component) has to be covered by a metal sheeting or braid, which has to be included in the protective arrangement of Protection Class I (protective earth) according to VDE0100 or to the relevant standards in your country and is to be taken into consideration. Metallic components coming in contact with the product have to be incorporated in the protection measures of Protection

Class I (protective earth). For details please refer to the standard VDE 0100 (Germany) or the relevant standards in your country.

Additional to these instructions special requirements for the specific products are found on the product label or type plate and must be followed as well.

The products are designed at a certain protection class. Considering that the product is

not protected against hazardous body currents, it has to be installed in such a manner that any risk is excluded.

In case of doubt or if necessary please contact us. (see last page for contact information)

Operation

Prior to connection of the product, please ensure that the supply voltage matches the product data label or the product specifications out of the accompanied documents, respectively.



Any product must be temperature controlled! (unless otherwise stated or specified)

When connecting the product, the requirements of the standards listed below in "General Safety Instructions" and "Additional Safety Instructions" have to be observed.

The maximum operating and withstand temperature for the product are listed in the technical data section. It has to be ensured that this temperature is never exceeded at any point of the product, irrespective of whether it is switched on or off. In cases in which the kind of installation or application cannot exclude that the maximum product temperature is exceeded, a suitable device for temperature control and, if necessary, for temperature limitation has to be provided.

Proper operation of the temperature controlling and limiting devices has to be checked at initial operation.

Maintenance and Safety

Maintenance and Safety is performed according to the standards listed under "General Safety Instructions" and "Additional Safety Instructions", the regulations of the employer's liability insurance associations applicable to the respective way of use, as well as other relevant rules applying to the application. The operation of the system should be checked for correct functionality. The electrical supply should be

checked to ensure it conforms to the system design documentation.

At least once per year the function of the temperature controlling and temperature limiting safety device has to be checked and the surface and connection line should be inspected for visible damage.

Warning labels and identification labels should be clearly visible, intact and able to display the correct information. Products which show exposed heating conductors or wires, were overheated. These products have to be immediately put out of operation and to be secured against reuse.



Note:

There should never be any open or short circuits amongst the product. Check to ensure that the system design documentation reflects the installation and any changes that have occurred. Regarding temperature, the products are manufactured out of special materials with high demands to chemical and mechanical stability, which also applies to the power supply cables.



Repairs:

Repairs may be made only by authorized staff by origin manufacturer or by enterprises expressly authorized by this manufacturer.

When returned, please always confirm decontamination status in written form and support this information directly with the returned product.

If a decontamination form is required, then please get in contact with us, where we will support you.

Malfunction and Excessive Strain

If it has been assumed that safe operation is no longer possible, the installation must be permanently shut down and secured against being inadvertently put back into operation.

This is the case, if...

- ... the product shows visible signs of damages
- ... the product is not operating according to specification
- ... the product is not operating at all (no visible indication of reason)
- ... the product has been exposed to excessive strain
- ... the admissible product limits are exceeded (e.g. storage, transportation, operating temperature)

Heated Media

The product must not be used to heat explosive media or media developing explosive gases when heated. The product must only be installed outside hazardous locations. When setting the temperature of the control and, if applicable, of the limiter, the properties of the medium to be heated have to be observed!



Attention!

During operation, the product can develop temperatures, which may lead to burning when touched. Therefore suitable personal protection measures have to be taken into consideration. When switched on, the product must not be touched.



Environmental information for industrial customers within the European Union

To demand of the European Directive 2002/95/EC and of the national Product Safety Act, equipment that is equipped with this symbol directly provided on or with the product and / or its packaging must not be disposed of together with unsorted municipal waste. The symbol indicates that the product should be disposed of separately to regular industrial /domestic waste.

It is your responsibility to use this product and other electrical and electronic products only on the legally prescribed methods of disposal or the competent and of the government or local authorities defined collection points for disposal. Correct disposal and recycling will help prevent potential negative consequences for the environment and human health.

If you need further information about disposal of your old equipment, please contact the local authorities, waste disposal service or the dealer from whom you purchased the product.

Technical Data

Type:	IT-ITW-SS-M
Area Classification:	Non-hazardous
Max. admiss. Temp.:	260°C (500°F)
Min. Installation Temp.:	-70°C (-94°F)
Min. Bending Radius:	7.5 mm
Min. Spacing:	10 mm
Protection Class:	I
IP-Rating:	IP64
Heating element:	var. alloys
Electrical Insulation:	PTFE and Glass fiber fabric
Outer Sheath:	Stainless steel
Gland Type:	M20, brass
Length ⁽¹⁾:	refer to product spec. or data label
Width x Thickness:	8.0 x 3.0 mm
Nominal Power ⁽²⁾:	refer to product spec. or data label
Nominal Operating Voltage:	refer to product spec. or data label
Typical Value per m ⁽²⁾:	33, 44 and 55 W/m
Approx. Weight:	0.1 ... 0.2 kg

Tolerances:

- ⁽¹⁾ < 2.0 m ± (1% +50 mm)
> 2.0 m ± (2% +100 mm)
- ⁽²⁾ ±10%

DEUTSCH

Allgemeine Sicherheitshinweise



ACHTUNG!

Diese Informationen sind bei der Handhabung und dem Betrieb von Produkten mit der folgenden Bezeichnung unbedingt zu beachten:

ISOPAD Heizbänder (IT) Serie IT-ITW-SS-M

Diese werden zur Vereinfachung im Zusammenhang „Produkte“ genannt.

Bitte lesen Sie die Betriebsanleitung sorgfältig vor dem Gebrauch des Produktes. Bitte beachten Sie die Angaben auf dem Typenschild und die Warnhinweise am Produkt. Bewahren Sie diese Betriebsanleitung für spätere Verwendung des Produktes unbedingt auf! Sie soll bei der Anwendung sichtbar bereitgehalten sein. Das Produkt ist nur nach dem Arbeitssicherheitsgesetz und den jeweiligen Landesvorschriften und zutreffenden Vorschriften und Regeln der Berufsgenossenschaften (in Deutschland: z. B. BGV und BGR) zu betreiben.

Bitte nehmen Sie diese Hinweise als Bestandteil der Arbeitsanweisungen Ihres Qualitätsmanagement-Handbuchs auf. Behandeln Sie diese Hinweise auch als Betriebsanweisung. Entfernen Sie niemals Warnhinweise vom Produkt!

Dieses Produkt wurde entwickelt und gefertigt nach IEC 60519-1 und IEC 60519-2.

Betrieb, Montage, Anschluss und Wartung des Produkts müssen in Übereinstimmung mit diesen Normen erfolgen.



ELEKTRISCHES BETRIEBSMITTEL!

Das Produkt ist ein elektrisches Betriebsmittel! Um Gefahren durch elektrischen Strom vorzubeugen, darf es nur über einen Fehlerstrom-Schutzschalter mit einem Auslösestrom von 30mA in Betrieb genommen werden.

Um Gefahren durch elektrischen Strom vorzubeugen, dürfen der Betrieb und die Wartung der Komponenten nur durch Fachpersonal (Elektrofachkraft) oder eingewiesenes Personal erfolgen!

Schutzklasse → siehe „Technische Daten“

Zum Schutz gegen Berührung und Beschädigung von außen ist das Produkt in der Applikation mit einem Metallmantel oder Metallgeflecht zu umgeben, die ebenfalls in die Schutzmaßnahmen der Schutzklasse I (Schutz-Erdung) gemäß VDE 0100 oder den nationalen Vorgaben einzubeziehen sind. Metallische Bauteile, die mit dem Produkt in Berührung kommen, sind gemäß VDE 0100 oder auch nationalen Vorgaben in die Schutzmaßnahme der Schutzklasse I (Schutz-Erdung) mit einzubeziehen.

IP-Schutzart → siehe „Technische Daten“

Eindringende Feuchtigkeit durch Wasser oder chemische Substanzen, mit denen Sie bei der Benutzung des Produktes arbeiten, kann zu gefährlichen Stromschlägen führen. Das Produkt darf nur in vollständig trockenem Zustand in Betrieb genommen werden! Produkte, bei denen die Heizleiter sichtbar sind, wurden überhitzt. Diese Produkte sind sofort außer Betrieb zu nehmen und dürfen nicht mehr verwendet werden. Andernfalls können elektrische Schläge mit erheblichen Verletzungen die Folge sein. Vermeiden Sie jede Überhitzung. Überhitzungen können vermieden werden durch Temperaturregelung oder durch Reduzierung der Leistung durch vorgeschaltete Leistungssteller.



NICHT BERÜHREN!

Das Produkt im eingeschalteten Zustand nicht berühren. Keine Nadeln o. ä. in die Komponente einstechen! Dadurch können die Heizwendel oder andere elektrische Leiter und/oder ihre Schutzeinrichtungen verletzt werden. Elektrische Schläge mit erheblichen Verletzungen können die Folge sein.



VORSICHT HEISS!

Das Produkt enthält ein integriertes Heizelement! Nicht berühren, während das Produkt noch heiß oder eingeschaltet ist! Dies betrifft auch Metallteile, die hohe Temperaturen annehmen können. Es besteht die Gefahr von Verbrennungsverletzungen.



BRAND- UND EXPLOSIONSGEFAHR!

Das Produkt ist nicht explosionsgeschützt. Deshalb darf sie nicht für Wärmeprozesse eingesetzt werden, bei denen eine Gefahr durch explosive Medien oder explosive Gas-Luft-Gemische entstehen kann. Sie darf nicht im explosionsgefährdeten Bereich betrieben werden.

Allgemeine Produkt Informationen

Die Produkte bestehen aus Polymer isolierten Heizleitungen für den industriellen Bereich. Je nach Anforderung werden sie ausgeführt mit unterschiedlichen Eigenschaften:

- Lagen aus Polymer Isolation
- Zusätzliche Lagen Glasfasergewebe
- Lagen mit metallischem Schutzgeflecht
- Metallverschraubungen
- Zusätzliche Temperaturfühler und/oder – wächter
- Zusätzlichen Regelgeräten

- unterschiedlichen Betriebsspannungen und Leistungsparametern

Sie werden zum Aufheizen, Temperaturhalten und Ausgleichen von Wärmeverlusten auf kleinen und grossen Objekten, Rohrleitungen, Apparaten, Laborausüstung, usw. eingesetzt. Die maximale Anwendungstemperatur ist je nach Ausführung und Isolationsmaterial unterschiedlich.

Die maximal zulässige Temperatur ist jedoch von den jeweiligen Betriebsbedingungen abhängig. Hierbei kann die Wärmeleitfähigkeit der zu beheizenden Werkstoffe und Medien ebenso Einfluss nehmen wie Durchsatz, Umgebungstemperatur, Isoliermaterial und Isolierdicke. ISOPAD bietet verschiedene Standardausführungen, aber auch Ausführungen die individuell angepasst (auf Länge konfektioniert) werden können.



Wichtig:

Individuelle Daten entnehmen Sie daher bitte dem Produkt-Typenschild oder -aufkleber. Es wird empfohlen bei Fragen zum Einbau oder in speziellen Bedarfsfällen die geeigneten Montagevorschriften individuell abzusprechen und zu vereinbaren. Falls notwendig kontaktieren Sie uns hierzu bitte. (siehe letzte Seite für Kontaktinformationen)

Weitere Sicherheitshinweise (Produktbezogen)



Achtung!

Beim Gebrauch elektrischer Begleitheizungen sind grundlegende Sicherheitsmaßnahmen zu befolgen, damit Überhitzungen, elektrischer Schlag, Feuer und Verletzungen von Menschen und Tieren vermieden werden.

Folgende Sicherheitshinweise sind zu beachten:

- Die Produkte sind nicht geeignet für Anwendungen in denen sie aggressiven Medien ausgesetzt sind.
- Vor Inbetriebnahme der Beheizung ist die Übereinstimmung der Netzspannung, mit

der auf dem Typenschild angegebenen Nennspannung, zu überprüfen.

- Prüfen Sie, ob das Produkt mit ihrer maximalen Einsatztemperatur, sowohl im ausgeschalteten, als auch im eingeschalteten Zustand für die Anwendung geeignet ist. (vergleichen Sie hierzu die technischen Daten in der Anleitung und das Typenschild)
- Bei Montage ist darauf zu achten, dass das Produkt nicht beschädigt wird.
- Das Produkt ist ein elektrisches Betriebsmittel, daher darf der Betrieb nur durch eingewiesenes Personal erfolgen.
- Wartung, Anschluss und Reparatur sind von geschultem, fach- und sachkundigem Personal durchzuführen.
- Bei der Montage muss darauf geachtet werden, dass überall ein guter Kontakt zwischen Heizmatte und der zu beheizenden Komponente vorliegt. Montieren Sie die Heizmatte grundsätzlich so, dass sie nicht überlappt.
- Verwenden Sie das Produkt nicht für andere als den vorgesehenen Zweck.

Produktdesign

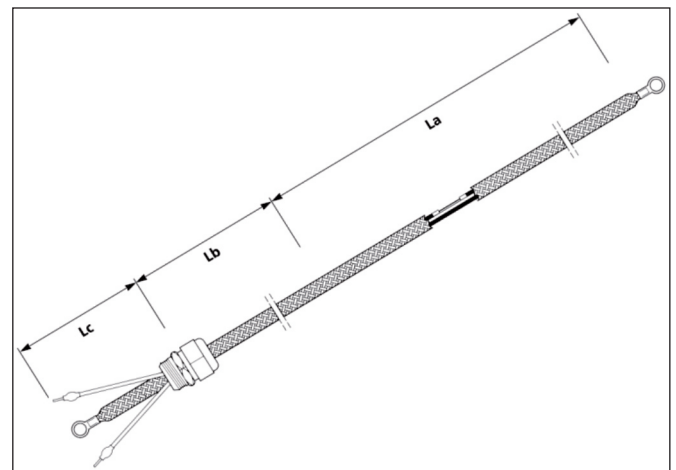
Das Produkt besteht aus einem Widerstandsheizleiter, welcher in Polymer Isolation mit zusätzlicher Lage Glasfasergewebe eingebettet ist. Die Aussenschutzschicht besteht aus einem Metallgeflecht zum mechanischen oder elektrischen Schutz. Das Produkt ist vorkonfektioniert mit Metallverschraubungen aus Messing zu einfachen Installation. Die Produkte werden heiss angeschlossen ohne Kaltleitungen. Dies bedeutet, dass es wichtig ist die richtige Anschlussmethode oder den richtigen Anschlusskasten für den Temperaturbereich des Produktes auszuwählen.

Es wichtig die genaue Grösse (Länge) des Produktes zu bestimmen, so dass ein Überlappen bei der Installation ausgeschlossen ist.

Für Ihre individuelle Anwendung oder bei Hilfe zur Produktauswahl kontaktieren Sie uns bitte. (siehe letzte Seite für Kontaktinformationen)

Das Produkt ist in 3 Sektionen aufgeteilt:

- La = Heizlänge, aktiver Teil in Kontakt mit dem zu beheizenden Objekt
- Lb = Warmende, nicht in Kontakt mit zu beheizendem Objekt (aktives Heizband bis Verschraubung)
- Lc = Flexibles Ende, zum Anschluss innerhalb des Klemmkastens (Verschraubung bis Anschluss)



Produktbeispiel

Installation

1. Das Produkt wird um das oder auch entlang dem zu beheizenden Objekt gelegt und entsprechend mit passenden Bändern befestigt die dem Temperaturbereich angemessen sind. Zusätzliche Befestigungen können notwendig sein um das Produkt ordnungsgemäß zu installieren. Für Hilfe oder Beratungen zur Installation stehen wir Ihnen gerne zur Verfügung.
2. Die Oberfläche des Objektes muss trocken und sauber (fettfrei) sein. Sie darf nicht beschichtet sein!
3. Achten Sie darauf das Produkt während der Installation nicht extrem zu beanspruchen. Informationen zum minimalen Biegeradius und Verlegeabständen entnehmen Sie den technischen Daten.
4. Bei der Montage ist darauf zu achten, dass das Produkt überall an der zu beheizenden Fläche oder dem Objekt dicht mit gutem Kontakt anliegt.

Kontaktfreie Stellen führen zu Überhitzung, Leistungsdefiziten und möglicher Zerstörung des Produktes. Unter zusätzlichen Isolierungen sind diese Effekte erhöhter Wahrscheinlichkeit ausgesetzt.

5. Das Produkt darf nicht überlappend verlegt werden, ansonsten können die daraus entstehenden Übertemperaturen das Produkt zerstören.
6. Bei der Montage darf das Produkt nicht über scharfe Kanten, Ecken oder Grate verlegt werden. Bei Nichtbeachtung kann dies zu Beschädigungen führen.
7. Achten Sie darauf, dass die angegebene Schutzart (IP Schutzart) geeignet für die Einsatzumgebung ist. Zum Beispiel sind gewebe-isolierte Produkte mit einer niedrigen Schutzart eingestuft und sollten deshalb nur in trockenen Bereichen eingesetzt werden.
8. Die vorkonfektionierten Heiss-Verbindungen sollten so montiert (installiert) werden, dass Ihre zulässige Einsatztemperatur nicht überschritten wird. Informationen hierzu finden Sie in dem Abschnitt technische Daten.
9. Keine Nadeln oder scharfe Objekte (o.ä.) in das Produkt einstecken!
10. Das Produkt sollte gegen mechanische Beschädigungen zusätzlich mit Abdeckungen geschützt werden (z.B. Isolationen und Metallbleche)
11. Die Produkte sind nicht selbstregulierend oder ausgeführt in stabilisierter Bauform. Geeignete Temperaturfühler und Regelgeräte müssen deshalb verwendet werden, um sicherzustellen, dass die maximal zulässigen Betriebstemperaturen am Produkt und den Komponenten nicht überschritten werden und die Einrichtung beschädigen.
12. Im Falle zusätzlich benötigter Sicherheit kann ein Temperaturbegrenzungseinrichtung installiert werden, um die Einrichtung vor Beschädigung zu schützen.



Zur Sicherheit ist ein Fehlerstromschutzschalter (FI) zu installieren!



Wichtig:

Zum Schutz gegen Berührung und Beschädigung von außen ist es notwendig, das Produkt (Komponente) in der Applikation mit einem Metallmantel oder Metallgeflecht zu umgeben, die in die Schutzmaßnahmen der Schutzklasse I (Schutz-Erdung) einzubeziehen sind. Metallische Bauteile, die mit dem Produkt in Berührung kommen, sind gemäß VDE 0100 in die Schutzmaßnahme der Schutzklasse I (Schutz-Erdung) einzubeziehen.

Zusätzlich zu den Anforderungen in der Anweisung gibt es Produktspezifische Hinweise auf dem Typenschild oder –aufkleber, die es zu beachten gilt.

Die Produkte sind in einer bestimmten Schutzklasse eingestuft. Da manche Ausführungen über keine Schutzklasse gegen gefährliche Körperströme verfügen, sind sie so zu installieren, dass eine Gefährdung ausgeschlossen ist.

Im Zweifelsfall oder falls notwendig kontaktieren Sie uns. (siehe letzte Seite für Kontaktinformationen)

Inbetriebnahme

Vor dem Anschluss des Produktes ist die Übereinstimmung der Netzspannung mit dem Typenschild oder der gelieferten Spezifikation zu überprüfen.



Jedes Produkt nur temperatur-geregelt betreiben! (falls nicht anderweitig spezifiziert)

Beim Anschluss sind die Forderungen der unter „Allgemeine Sicherheitshinweise“ und „Weitere Sicherheitshinweise“ aufgeführten Normen zu beachten.

Die maximale Verwendungstemperaturen der Produkte entnehmen Sie den technischen Daten. Es ist sicherzustellen, dass diese Temperatur im ein- und ausgeschaltetem Zustand an keiner Stelle überschritten wird. Wo nicht durch Art des Einbaus sichergestellt ist, dass die maximal zulässigen Temperaturen überschritten werden, ist eine entsprechende

Temperaturregel- bzw. -begrenzungseinrichtung vorzusehen. Die Temperaturregelung muss so ausgelegt sein, dass auch für das Beschickungsgut bzw. Objekt eine Überschreitung der maximal zulässigen Temperatur ausgeschlossen wird. Können im Fehlerfall (z.B. durch Versagen der Temperaturregeleinrichtung) Gefahren auftreten, so muss eine Sicherheits-einrichtung zum Begrenzen der Temperatur vorgesehen werden. Bei der ersten Inbetriebnahme ist die ordnungsgemäße Funktion der Temperaturregel- und Begrenzungseinrichtungen zu prüfen. Die geforderten Prüfungen gemäß den unter "Allgemeine Sicherheitshinweise" genannten Normen sind nach Fertigstellung der Elektrowärmeanlage oder -Einrichtung durchzuführen und zu dokumentieren.

Wartung und Instandhaltung

Wartung und Instandhaltung sollten nach den unter "Sicherheitshinweise" genannten Normen und den je nach Einsatz geltenden Vorschriften der Berufsgenossenschaften und andere, auf den Anwendungsfall zutreffende Bestimmungen in regelmäßigen Zeitabständen durchgeführt werden.

Der Betrieb des Systems sollte geprüft werden, um die ordnungsgemäße Funktion sicherzustellen.

Es ist zu prüfen, ob die Spannungsversorgung mit der Produktspezifikation übereinstimmt.

Warn- und Typenschilder sollten in klar lesbarem, unbeschädigtem Zustand sein und die richtigen Informationen anzeigen. Mindestens einmal jährlich ist die Funktion der Temperaturregel- und Begrenzungseinrichtungen zu überprüfen und zu dokumentieren. Produkte, bei denen die Heizleiter sichtbar sind, wurden überhitzt. Sie sind sofort außer Betrieb zu nehmen und dürfen nicht mehr verwendet werden.



Hinweis:

Die Produkte sollten keine Unterbrechungen oder Kurzschlüsse haben. Die Produkte werden aus speziellen Materialien gefertigt, die hohe Anforderungen in Bezug auf Temperatur, chemische Beständigkeit und mechanische Festigkeit erfüllen. Dies gilt auch für die Anschlussleitungen.



Reparaturen:

Daher dürfen Reparaturen nur von autorisiertem Personal im Herstellerwerk oder von durch den Hersteller ausdrücklich autorisierten Unternehmen vorgenommen.

Bei Rücksendungen bitten wir darum das Produkt generell vorher zu Dekontaminieren, dies schriftlich zu bestätigen und dem Produkt als Information beizulegen. Wenn Sie eine Dekontaminationsvorlage benötigen, nehmen Sie dazu bitte Kontakt mit uns auf.

Fehler und außergewöhnliche Belastung

Wenn anzunehmen ist, dass ein gefahrloser Betrieb nicht mehr möglich ist, so muss die Einrichtung außer Betrieb gesetzt und gegen unabsichtliche Inbetriebnahme gesichert werden.

Dieser Fall tritt ein, wenn...

- ... das Produkt sichtbare Beschädigungen aufweist
- ... das Produkt nicht mehr ordnungsgemäß arbeitet
- ... das Produkt gar nicht mehr arbeitet (ohne ersichtlichen Grund)
- ... das Produkt Überbeanspruchung jeglicher Art ausgesetzt war
- ... die zulässigen Grenzen überschritten wurden (z.B. Lagerung, Transport, Betriebstemperatur)

Aufheizbare Medien

Das Produkt darf nicht zur Aufheizung von explosiven Medien oder Medien, die bei der Erwärmung explosive Gase freisetzen, eingesetzt werden. Die Montage darf nur außerhalb des explosionsgefährdeten Bereichs erfolgen. Bei der Temperatureinstellung der Regelung und gegebenenfalls Begrenzung sind die Eigenschaften des aufzuheizenden Mediums zu beachten.



Achtung!

Das Produkt kann während des Betriebes Temperaturen annehmen, die bei Berührung zu Verbrennungen führen. Deshalb sind geeignete Maßnahmen zum Personenschutz vorzusehen. Die Heizmatte darf in eingeschaltetem Zustand nicht berührt werden.



Umweltinformation für industrielle Kunden innerhalb der Europäischen Union

Die Europäische Richtlinie 2002/95/EC und das deutsche Produktsicherheitsgesetz verlangen, dass technische Ausrüstung, die direkt am oder mit dem Produkt und/oder an der Verpackung mit diesem Symbol versehen ist, nicht zusammen mit unsortiertem Gemeindeabfall entsorgt werden darf. Das Symbol weist darauf hin, dass das Produkt von regulärem Gewerbe-/Haushaltsmüll getrennt entsorgt werden sollte.

Es liegt in Ihrer Verantwortung, dieses Produkt und andere elektrische und elektronische Produkte nur über die gesetzlich vorgeschriebenen Entsorgungswege bzw. die dafür zuständigen und von der Regierung oder örtlichen Behörden dazu bestimmten Sammelstellen zu entsorgen. Ordnungsgemäßes Entsorgen und Recyceln trägt dazu bei, potentielle negative Folgen für Umwelt und die menschliche Gesundheit zu vermeiden. Wenn Sie weitere Informationen zur Entsorgung Ihrer Altgeräte benötigen, wenden Sie sich bitte an die örtlichen Behörden oder städtischen Entsorgungsdienste oder an den Händler, bei dem Sie das Produkt erworben haben.

Technische Daten

Typ:	IT-ITW-SS-M
Bereichsklassifizierung:	nicht explosionsgeschützt
Max. zul. Temp.:	260°C
Min. Installationstemp.:	-70°C
Min. Biegeradius:	7.5 mm
Min. Verlegeabstand:	10 mm
Schutzklasse:	I
Schutzart:	IP64
Heizleiter:	ver. Leg..
Elektrische Isolation:	PTFE und Glasfasergewebe
Aussenschutz:	Edelstahl
Verschraubung:	M20, Messing
Länge ⁽¹⁾:	siehe Produktspezifikation oder Typenschild
Breite x Dicke:	8.0 x 3.0 mm
Nominale Leistung ⁽²⁾:	siehe Produktspezifikation oder Typenschild
Nominale Spannung:	siehe Produktspezifikation oder Typenschild
Typischer Wert pro m ⁽²⁾:	33, 44 und 55 W/m
Gesch. Gewicht:	0.1 ... 0.2 kg

Toleranzen:

- ⁽¹⁾ < 2.0 m ± (1% +50 mm)
> 2.0 m ± (2% +100 mm)
- ⁽²⁾ ±10%

Ordering Information / Bestellinformationen

Standard lengths and loadings table										
Type	ITW/SS-33-M			ITW/SS-44-M			ITW/SS-55-M			
Output	33 W/m			44 W/m			55 W/m			
Max. pipe temp. (energised)	170°C			145°C			110°C			
Voltage	Usable length (La) m	Total watts	Part No.	Usable length (La) m	Total watts	Part No.	Usable length (La) m	Total watts	Part No.	
	240 V	1.4	58	847 952-000	1.2	65	002 178-000	1.0	76	557 710-000
2.7		96	589 014-000	2.3	113	718 330-000	2.0	128	850 242-000	
4.0		137	982 248-000	3.5	161	204 374-000	3.0	179	682 904-000	
5.0		185	597 582-000	4.4	208	335 040-000	4.0	230	531 646-000	
6.5		217	968 558-000	5.5	253	107 772-000	5.0	280	106 750-000	
8.0		275	501 660-000	6.9	314	448 548-000	6.0	360	903 780-000	
10.0		323	816 604-000	8.3	387	148 750-000	7.5	430	544 222-000	
11.0		377	841 870-000	9.4	436	856 882-000	8.5	480	716 584-000	
12.0		427	296 864-000	10.5	484	955 144-000	9.5	535	043498-000	
--		--	--	--	--	--	10.5	590	315 700-000	
110 V		1.4	44	633 594-000	1.2	50	929 724-000	1.0	58	740 004-000
		2.7	81	606 686-000	2.3	93	167 516-000	2.0	105	775 996-000
	4.0	108	365 354-000	3.5	122	209 176-000	3.0	141	574 268-000	
	5.0	167	388 864-000	4.4	188	398 898-000	4.0	254	270 328-000	
	6.5	193	334 416-000	5.5	227	209 850-000	5.0	248	540 440-000	
	8.0	222	756 106-000	6.9	256	923 494-000	6.0	293	351 880-000	
	10.0	280	856 262-000	8.3	334	289 092-000	7.5	367	483 726-000	
	--	--	--	--	--	--	8.5	448	443 400-000	
	--	--	--	--	--	--	10.5	564	357 032-000	

Warm Lead Length LB = 150 mm for units above dotted line
= 350 mm for units below dotted line

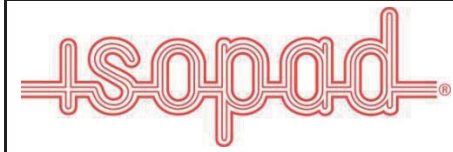
Flexible Tail Length Lc = 150 mm for all units

Standardlängen- und Leistungstabelle										
Typ	ITW/SS-33-M			ITW/SS-44-M			ITW/SS-55-M			
Leistung	33 W/m			44 W/m			55 W/m			
Max. Einsatztemperatur (eingeschaltet)	170°C			140°C			110°C			
Spannung	Aktive Länge (La) m	Gesamt-leistung W	Bestellnr.	Aktive Länge (La) m	Gesamt-leistung W	Bestellnr.	Aktive Länge (La) m	Gesamt-leistung W	Bestellnr.	
	240 V	1,4	58	847 952-000	1,2	65	002 178-000	1,0	76	557 710-000
2,7		96	589 014-000	2,3	113	718 330-000	2,0	128	850 242-000	
4,0		137	982 248-000	3,5	161	204 374-000	3,0	179	682 904-000	
5,0		185	597 582-000	4,4	208	335 040-000	4,0	230	531 646-000	
6,5		217	968 558-000	5,5	253	107 772-000	5,0	280	106 750-000	
8,0		275	501 660-000	6,9	314	448 548-000	6,0	360	903 780-000	
10,0		323	816 604-000	8,3	387	148 750-000	7,5	430	544 222-000	
11,0		377	841 870-000	9,4	436	856 882-000	8,5	480	716 584-000	
12,0		427	296 864-000	10,5	484	955 144-000	9,5	535	043498-000	
--		--	--	--	--	--	10,5	590	315 700-000	
110 V		1,4	44	633 594-000	1,2	50	929 724-000	1,0	58	740 004-000
		2,7	81	606 686-000	2,3	93	167 516-000	2,0	105	775 996-000
	4,0	108	365 354-000	3,5	122	209 176-000	3,0	141	574 268-000	
	5,0	167	388 864-000	4,4	188	398 898-000	4,0	254	270 328-000	
	6,5	193	334 416-000	5,5	227	209 850-000	5,0	248	540 440-000	
	8,0	222	756 106-000	6,9	256	923 494-000	6,0	293	351 880-000	
	10,0	280	856 262-000	8,3	334	289 092-000	7,5	367	483 726-000	
	--	--	--	--	--	--	8,5	448	443 400-000	
	--	--	--	--	--	--	10,5	564	357 032-000	

Warm-Ende Länge LB = 150 mm für Typen oberhalb der gepunkteten Linie
= 350 mm für Typen unterhalb der gepunkteten Linie

Flexibles Ende Länge Lc = 150 mm for alle Typen

EC Declaration of Conformity / EG Konformitätserklärung



EC Declaration of Conformity
EG Konformitätserklärung
CE Déclaration de Conformité

We / Wir / Nous,

CHROMALOX ISOPAD GmbH

Englerstraße 11, D-69126 Heidelberg / Germany – Deutschland – Allemagne

hereby declare in our sole responsibility, that the products...
 erklären in alleiniger Verantwortung, dass die Produkte...
 déclarons de notre seule responsabilité, que les produits...

Heating Tapes of Series
Heizbänder der Serien
Chauffage flexibles de Séries

IT-ITW-SS-M

...which is the subject of this declaration, is in conformity with the following standard(s) or normative documents
 ...auf das sich diese Erklärung bezieht, mit der/den folgenden Norm(en) oder normativen Dokumenten übereinstimmt
 ...auquel cette déclaration se rapporte, est conforme aux norme(s) ou aux documents normatifs suivants


Terms of the Directive(s) and Approval Data... Bestimmungen der Richtlinie und Zulassungsdaten... Prescription de la directive et données de référence 'approbation...	Title and/or No. and date of issue of the standard / Titel und/oder Nr. sowie Ausgabedatum der Norm / titre et/ou No. ainsi que date d'émission des normes
2014/35/EU: "Electrical equipment designed for use within certain voltage limits" 2014/35/EU: "Elektrische Betriebsmittel zur Verwendung innerhalb bestimmter Spannungsgrenzen" 2014/35/EU: "matériel électrique destiné à être employé dans certaines limites de tension"	EN 60519-1: 2015 +) EN 60519-2: 2007 +)
2014/30/EU: Electromagnetic compatibility 2014/30/EU: Elektromagnetische Verträglichkeit 2014/30/EU: Compatibilité électromagnétique	EN 61000-6-2: 2006 +) EN 61000-6-4: 2011 +)


+) Harmonized Standards


Heidelberg, 30th April 2020



Danny Rech
 President / Geschäftsführer / Directeur Général

 Our products satisfy the requirements of the relevant European Directives.

 Unsere Produkte erfüllen die Anforderungen der zutreffenden europäischen Richtlinien.

 Nos produits répondent aux exigences des directives européennes appropriées

© 2020 CHROMALOX ISOPAD
1235-OMH58598 R20-0

TC-E B.V. (authorized Isopad distributor)

Nieuwland Parc 314c
2952 DD Alblasterdam
The Netherlands
Tel: +31 (0) 183 20 10 88

Email: sales@tc-e.nl
Web: www.iss-heating.com
www.tc-e.nl



ISOPAD is a trademark of CHROMALOX ISOPAD GmbH or its affiliates.
ISOPAD ist ein eingetragenes Warenzeichen von CHROMALOX ISOPAD GmbH
oder ihren Tochtergesellschaften.
ISOPAD est une marque déposée de CHROMALOX ISOPAD GmbH ou ses affiliées.