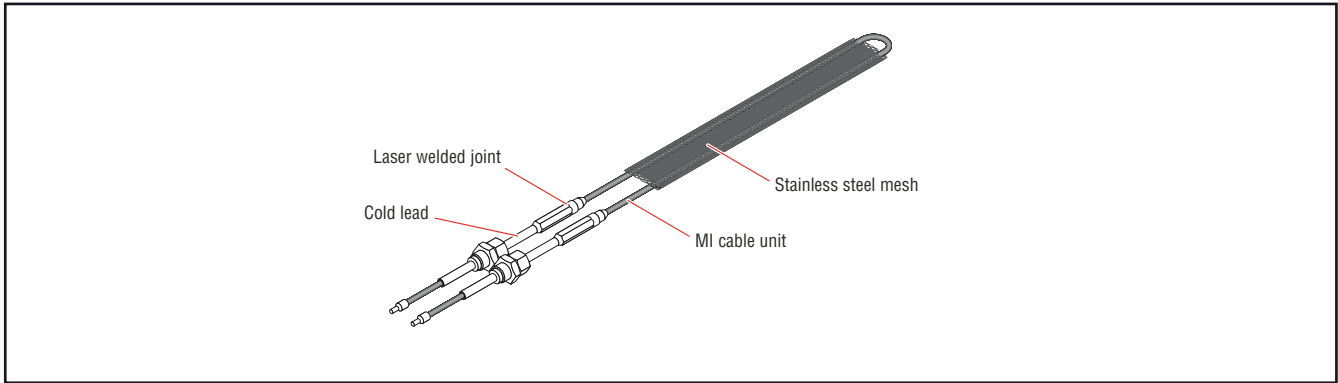


Mineral insulated heating tape

Isopad IT-ITS/SS is a factory-terminated mineral insulated heating tape with laser-welded joints. The tape has a go-and-return

mineral insulated element embedded in a highly compressed mineral insulant covered by a malleable metal sheath.

This tape is excellent for use where high mechanical protection and high resistance to corrosion is needed.



Area Specifications

Area classification	Nonhazardous, ordinary area
Ingress protection	IP68
Electrical protection class	Class 1
Maximum withstand temperature (power off)	600°C
Minimum installation temperature	-40°C

Standard Manufacturing Sizes

Width	25 mm ±10%
Thickness	4 mm ±10%

Heater Construction

Type	Resistance heating cable
Material	Nickel-chrome-alloy
Material of insulation	Magnesium oxide (MgO)
Material of outer sheath	Stainless steel

Lead Connection

Glands	Brass M20
Cold lead	Laser welded hot to cold joint with 500 mm long mineral insulated cold lead
Terminating tails	150 mm long stranded nickel with PVC sleeve

Technical Data

Frequency	50-60 Hz
Nominal operating voltage	240 / 110 Vac
Power per meter	50 / 100 / 200 / 300 W/m
Maximum operating temperature	500°C at 50 / 100 W/m 400°C at 200 W/m 300°C at 300 W/m

Ordering Information

Output		50 W/m		100 W/m		
Maximum pipe temperature (power on)		500°C		500°C		
Nominal voltage	Part number	Length⁽¹⁾ (mm)	Nominal power⁽²⁾ (W)	Part number	Length⁽¹⁾ (mm)	Nominal power⁽²⁾ (W)
240 V	621824-000	7590	379	648526-000	5370	537
	124116-000	9560	478	443082-000	6760	676
	532334-000	12000	600	763344-000	8490	849
110 V	511432-000	4380	219	456148-000	3100	310
	156760-000	5500	275	460350-000	4920	492
	756964-000	6960	348	567244-000	6150	615
Output		200 W/m		300 W/m		
Maximum pipe temperature (power on)		400°C		300°C		
Voltage	Part number	Length⁽¹⁾ (mm)	Nominal power⁽²⁾ (W)	Part number	Length⁽¹⁾ (mm)	Nominal power⁽²⁾ (W)
240 V	356910-000	4780	956	135114-000	4900	1470
	004442-000	6000	1200	225684-000	6200	1859
	338346-000	7590	1518	656376-000	7750	2324
110 V	192802-000	3480	696	845712-000	3550	1065
	362256-000	5500	1100	505374-000	5660	1697
	384928-000	6930	1386	350238-000	7100	2130

⁽¹⁾ Tolerances <2000 mm ± (1% + 50 mm)
>2000 mm ± (2% + 100 mm)

⁽²⁾ Tolerances ±10%

Nonstandard versions are available