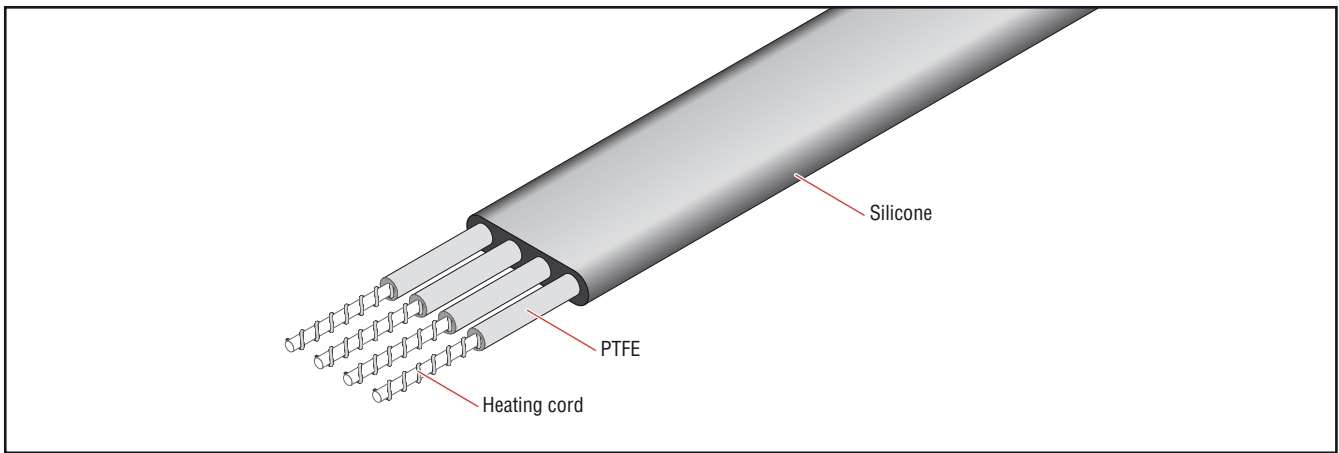


## Silicone constant wattage heating tape

Isopad IT-GW 27 is a factory-terminated heating tape constructed from a PTFE electrical insulated resistant wire extruded in silicone rubber.

The construction means it is suitable for use in wet environments. The outer jacket is smooth and may be washed down for cleaning, which also makes it suitable for use in dirty areas.

The IT-GW27 must be used with an appropriate temperature control. We also offer suitable controllers and sensors for your application.



### Area Specifications

Area classification	Nonhazardous, ordinary area
Ingress protection	IP67
Electrical protection class	Class II
Maximum withstand temperature (power off)	200°C
Storage temperature	+5 to +30°C
Minimum installation temperature	-60°C

### Standard Manufacturing Sizes

Width	27 mm ±10%
Thickness	5 mm ±10%

### Heater Construction

Type	Resistance heating cable
Material	Various alloys
Material of insulation	PTFE
Material of outer sheath	Silicone

### Lead Connection

Connection length	1.0 m
Cross section	2 x 1.5 mm <sup>2</sup>
Maximum operating temperature	180°C
Insulation material	Silicone

### Technical Data

Frequency	50-60 Hz
Nominal operating voltage	230 Vac

**Technical Data**

Power per meter	Up to 150 W/m (depending on application)
Maximum operating temperature	200°C
Minimum bend radius	25 mm
Minimum spacing	5 mm

**Ordering Information**

Type	Part number	Length <sup>(1)</sup> (m)	Nominal power <sup>(2)</sup> (W)	Nominal voltage (Vac)
IT-GW27	1235-88303562	3.6	551	230
	1235-88303563	4.0	270	230
	1235-88303564	5.4	733	230
	1235-88303565	6.0	330	230
	1235-88303566	8.0	367	230
	1235-88303567	9.0	864	230
	1235-88303568	10.0	588	230
	1235-88303569	12.0	1320	230
	1235-88303570	15.0	1567	230

<sup>(1)</sup> Tolerances <2000 mm ± (1% + 50 mm)  
>2000 mm ± (2% + 100 mm)

<sup>(2)</sup> Tolerances ±10%

Special versions on request