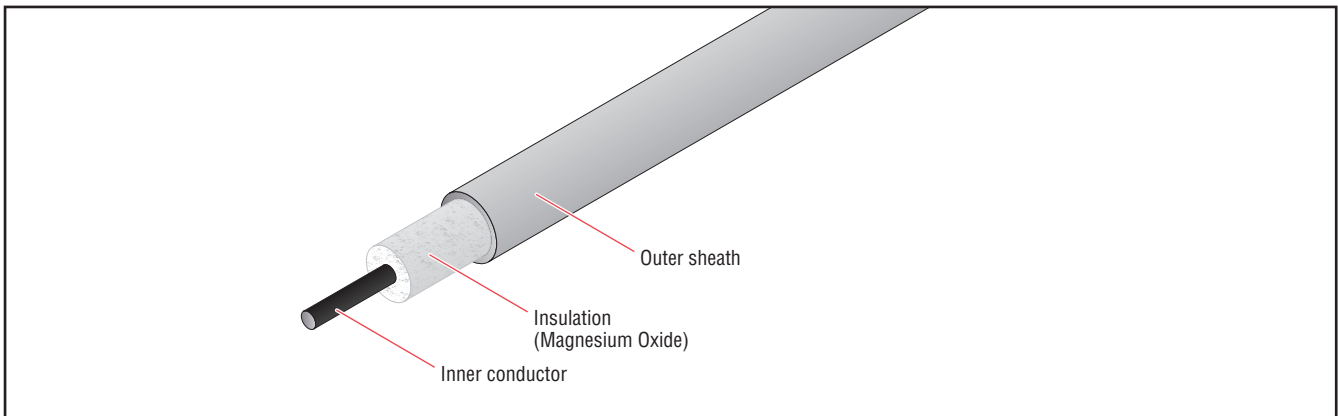


Mineral insulated heating cable units

IMI-KMV is a preterminated, mineral insulated heating cable consisting of a nickel-chrome 8020 heating element and a stainless-steel 1.451 / 321 metal sheath. The connection joints between the heating cable and cold ends are welded using heavy duty lasers.

At heating conductor temperatures up to 800°C, this cable is mainly used for heating elements with special forms, pipe trace heating in the chemical industry, form/platen heating, container heating, and special heaters for aqueous solutions.

The heating cable is watertight and can be used under both high pressure and vacuum conditions. It is ideally suited for transferring large thermal volumes as high per-meter load is possible under appropriate conditions.



Area Specifications

Area classification	Nonhazardous, ordinary area
Ingress protection	IP68
Electrical protection class	Class I
Maximum withstand temperature (powered off)	700°C ±10% (to 800°C on request)
Minimum installation temperature	-60°C

Heater Construction

Type	Resistance heating cable
Material	Nickel-chrome-alloy
Material of insulation	Magnesium oxide (MgO)
Material of outer sheath	Stainless steel

Lead Connection

Glands	Standard M20
Connection length	0,5 m cold lead at each end. Other lengths possible on request

Technical Data

Maximum operating voltage	300 / 50 Vac
Maximum operating temperature	700°C (to 800°C on request)
Minimum bend radius	6 x OD
Minimum spacing	25 mm

Ordering Information

Part number	Length ⁽¹⁾ (L) (mm)	Outer diameter ⁽²⁾ (OD) (mm)	Nominal power ⁽³⁾ (W)	Nominal voltage (VAC)
1235-04532007	3100	3,2	620	110
1235-04532010	5000	3,2	1058	230
1235-04532011	6000	3,2	1400	230
1235-04532012	7500	3,2	1763	230
1235-04532013	10000	3,4	2116	230

⁽¹⁾ Tolerances <2000 mm \pm 1% and \pm 0,05 m (cold lead \pm 10%)
>2000 mm \pm 2% and \pm 0,1 m (cold lead \pm 10%)

⁽²⁾ Tolerances + 0,03 mm / - 0,05 mm

⁽³⁾ Tolerances \pm 10%

A version of this heating cable is available for hazardous areas: FIMI-FMV.
Withstand tolerances \pm 10%

IMI-KMV cable reference	Nominal Resistance (Ω /m at 20°C)	Cable Diameter (mm)	Approx. Weight (kg/km)
	10,00	3,2	39
	6,30	3,2	39
	4,00	3,2	39
	2,50	3,4	46
	1,60	3,6	52
	1,00	3,9	62
	0,63	4,3	78
	0,40	4,7	96
	0,25	5,3	127
	0,16	6,5	191

Resistance tolerances \pm 10%

IMI-KMV cold lead table	Cross section	Diameter (mm)	Current rating (A)	Sheath material	Standard gland size
	2,5	4,9	34,0	Stainless steel	M20
	6,0	6,1	50,0	Stainless steel	M20
	10,0	7,2	77,0	Stainless steel	M25

Brass glands are standard on all heating units.