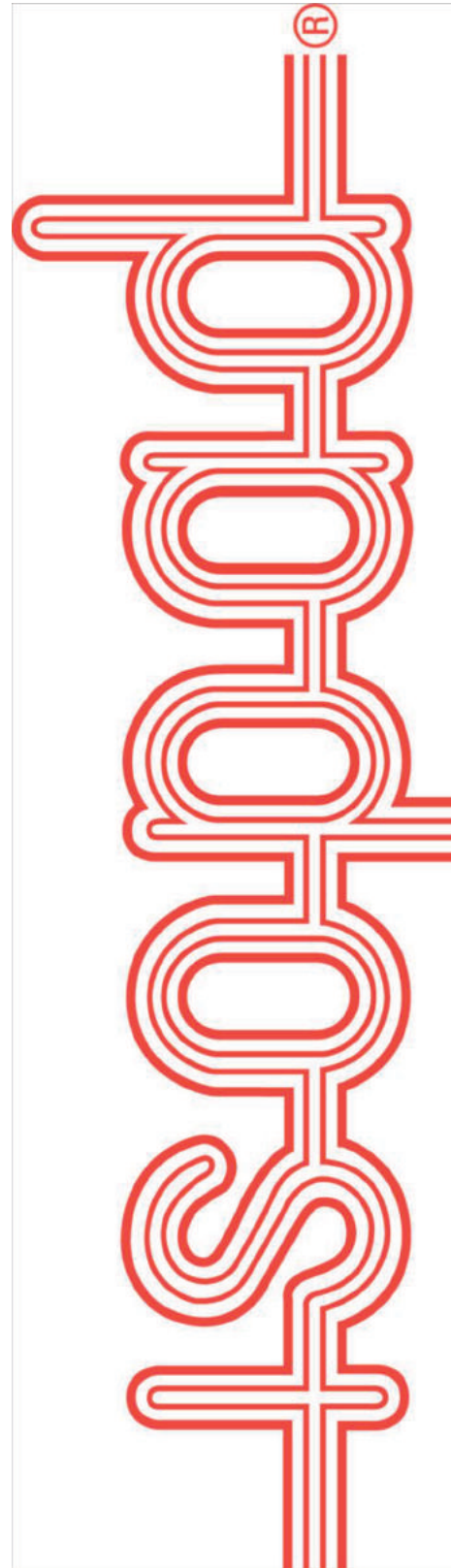


INSTALLATION, MAINTENANCE AND  
OPERATION MANUAL

**MINERAL INSULATED (MI)  
SERIES HEATING SYSTEMS**



## Disclaimer

### Important:

All information, including illustrations, is believed to be reliable. Users, however, should independently evaluate the suitability of each product for their particular application. CHROMALOX ISOPAD GMBH makes no warranties as to the accuracy or completeness of the information and disclaims any liability regarding its use. CHROMALOX ISOPAD GMBH only obligations are those in the Standard Terms and Conditions of Sale for this product, and in no case will CHROMALOX ISOPAD GMBH or its distributors be liable for any incidental, indirect or consequential damages arising from the sale, resale, use or misuse of the product. Specifications are subject to change without notice. In addition, CHROMALOX ISOPAD GMBH reserves the right to make changes, without notification to the Buyer, to processing or materials that do not affect compliance with any applicable specification.

---

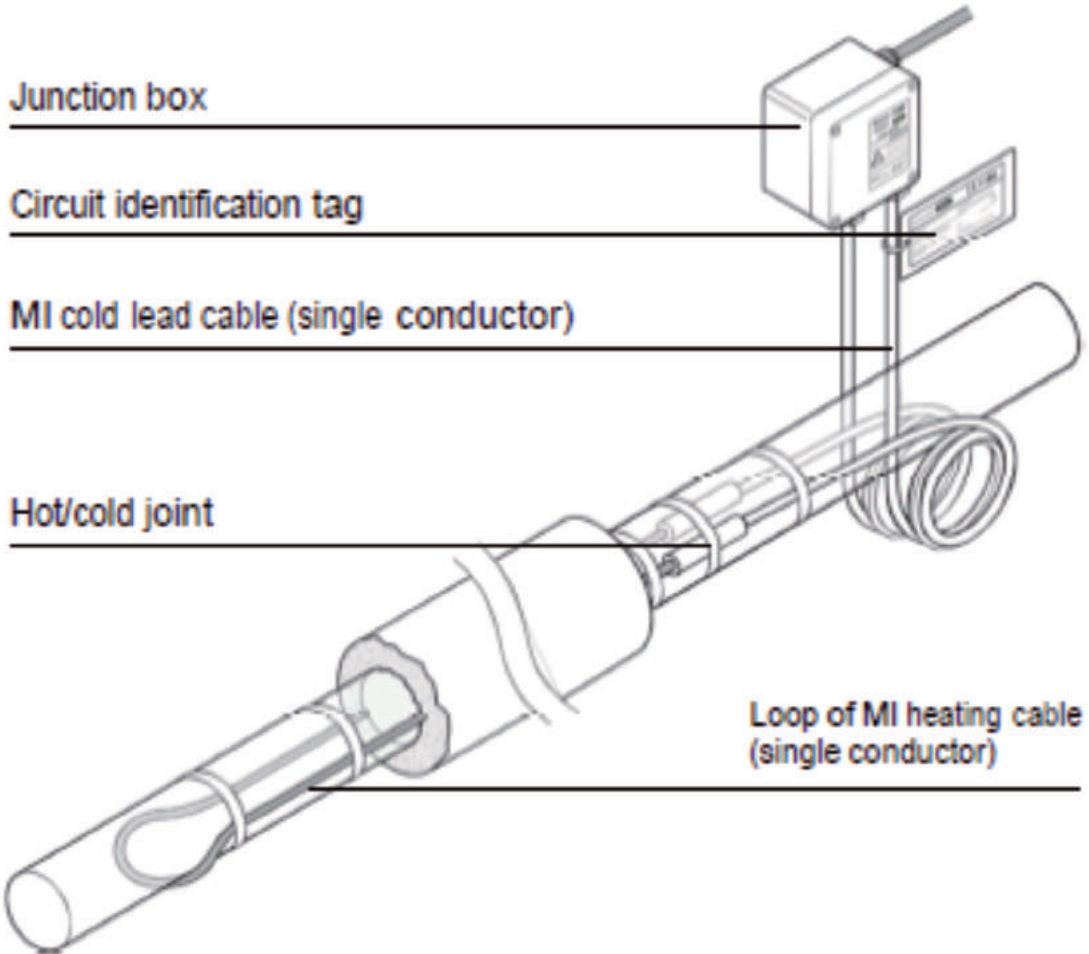
TABLE OF CONTENT

- 1. General information ..... 6**
  - Use of the manual ..... 6
- 2. Heating cable selection and storage ..... 8**
- 3. Heating cable installation ..... 10**
  - 3.1 Pre-installation checks ..... 10
  - 3.2 Heating cable pulling and laying ..... 11
  - 3.3 Heating cable attachment ..... 14
  - 3.4 Attachment materials ..... 16
  - 3.5 Typical installation details ..... 16
  - 3.6 Heating cable allowances ..... 23
- 4. Components selection and installation ..... 24**
  - 4.1 General notes ..... 24
  - 4.2 Component installation hints ..... 24
- 5. Temperature control and limitation ..... 24**
  - 5.1 General rules ..... 24
  - 5.2 Sensor placement: Temperature control device ..... 25
- 6. Thermal insulation and marking ..... 25**
  - 6.1 Pre-insulation checks ..... 25
  - 6.2 Insulation related requirements ..... 25
  - 6.3 Marking ..... 26
- 7. Power supply and electrical protection ..... 27**
  - 7.1 Earth connection ..... 27
  - 7.2 Electrical loading ..... 27
  - 7.3 Residual current (earth fault) protection ..... 27
  - 7.4 Isolation from power supply ..... 27
  - 7.5 Circuit marking ..... 27
- 8. System testing ..... 28**
  - 8.1 Testing of insulation resistance and conductor resistance ..... 28
  - 8.2 Test method for insulation resistance testing ..... 28
- 9. Operation, Maintenance and Repairs ..... 29**
  - 9.1 Heating cable operation ..... 29
  - 9.2 Inspection and maintenance ..... 29
  - 9.3 Piping systems repair and maintenance ..... 29
- 10. Trouble Shooting ..... 30**
  - Installation Record Sheet ..... 31
- 11. Special Conditions for Safe Use ..... 35**



---

Typical configuration for MI-heating cable system  
(single conductor)



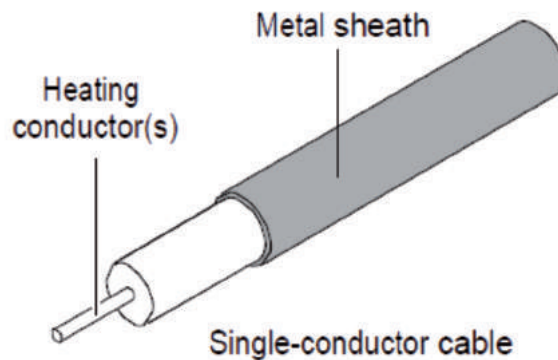
## 1. General information

### Use of the manual

This Installation and Maintenance manual applies to Chromalox Isopad Mineral Insulated (MI) series resistance heating cable systems installed on thermally insulated pipes and vessels and associated equipment. It refers to mineral insulated (MI) series heating systems, which feature a specific power output depending on various design parameters, in particular, cable length and voltage. This manual provides general information and shows an overview of the most common installations and applications on MI as well as typical examples. In any case the information provided for specific projects will take precedence over this manual. In case of conflicts, please contact your Chromalox Isopad representative.

Chromalox Isopad offers two different cable constructions for electrical heat-tracing purposes: single conductor cables, which are typically laid in loop configurations and dual conductor cables, which are typically laid in single runs.

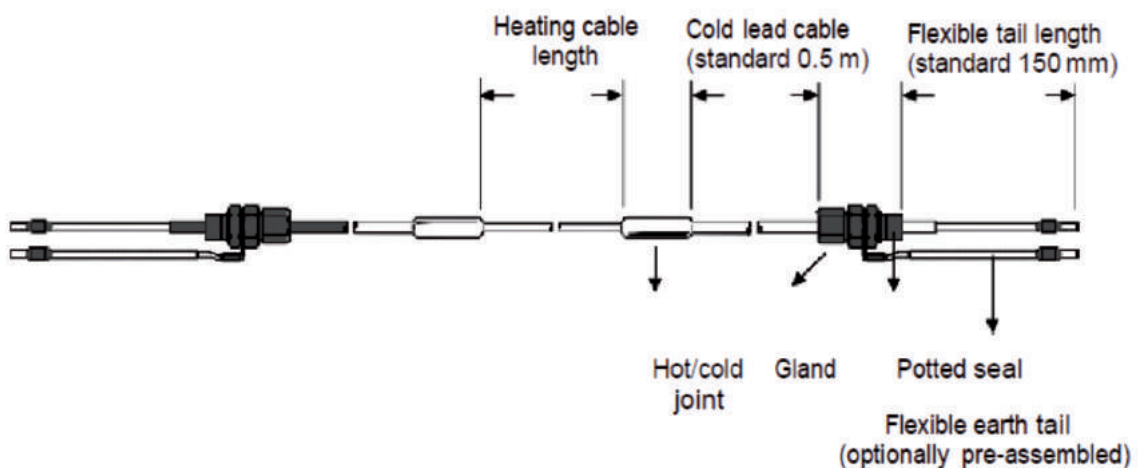
Figure 1: Typical cable construction



Various types of the MI bulk heating cables are available:

- KMCN: Cupro-nickel sheathed MI heating cables
- KMV: Stainless steel sheathed MI heating cables
- KMIN: Inconel sheathed MI heating cables

Figure 2: Typical heating unit designs



The joints can be either brazed or laser welded, refer to Chromalox Isopad product literature for more detailed information.

Please note that this manual only covers the installation of pre-fabricated MI heating units. The complete termination process and repair of heating cable units is not covered by this manual and must be carried out by qualified and experienced personal only.

For more information contact your Chromalox Isopad representative.

### **Important**

For the Chromalox Isopad warranty to apply, the instructions of this manual must be followed. Design, Installation, Inspection, Operation and Maintenance must be in accordance with the standards EN 62395-1, or

Other local requirements and national electric codes applicable to electrical heat tracing systems must be followed as well. The thermal safety class is 2 (to IEC 60519-2).

Personal involved in the installation, testing and maintenance of electric heat-tracing systems must be suitably trained in all special techniques required, as well as in general electrical installation work. All work should be monitored by supervisors experienced in heat-tracing applications.

Area Classification – Ordinary: KMV, KMIN, KMC

For other national approvals please contact Chromalox Isopad.

The technical information for ordering of MI heating units uses the following nomenclature.

When ordering, the complete order reference of the MI heating unit needs to be provided. Before installation, check the suitability of the heating units supplied. Changes to any of the parameters may require a re-design and must

be confirmed before installation.

## 2. Heating cable selection and storage

The selection of the proper heating cable and components, best suited for the application must be checked against the relevant product literature, the most important product properties are summarized in following table:

Table 1: Properties of MI heating units

MI Heating Cable Type	KMCN(2)	KMV(2)(3)	KMIN(2)(3)(4)
Number of conductors	1		
Maximum voltage ( $U_0/U$ )	300 / 500 V		
Maximum withstand temp. <sup>(1)</sup> Laser welded heating	400°C	450°C	450°C
Minimum cable spacing	25 mm		
Minimum installation temp.	-60°C		
Minimum bending radius	6 x cable diameter		
Chemical resistance	Medium	Medium	High

- (1) The hot-cold junction used in a heating unit may lead to temperature limits below the limit of the heating cable. Contact Chromalox Isopad if the exposure temperature exceeds values given in the tables above for more detailed instructions how the unit can be installed under those circumstances.
- (2) KMCN, KMV and KMIN are not allowed for usage in hazardous area.  
They are non-Ex versions!
- (3) It is possible that in nonhazardous areas defined MI-heating units will be designed and approved by a Chromalox Isopad project engineer. These units can be used in the described application with lower bending radii and at temperatures of up to 800°C for KMV and 1000°C for KMIN.
- (4) A special variant of the MI heating unit version KMIN can be designed by Chromalox Isopad Design engineers as MINI MI-heating unit. These MI heating units are supplied with mains voltage of 230V/240V.



Please check against individual datasheet or contact Chromalox Isopad GmbH for further details.

The maximum cable power output is directly dependent on the application and control method used. The actual limits of MI heating cables in a specific application are given in Chromalox Isopad Engineering Software (e.g. heat design software). For more details, please contact Chromalox Isopad.

Ensure that the heating cable voltage and temperature rating is suitable for the application.

Changing design parameters such as voltage or cable length will result in a different power output and maximum sheath temperature. This may require a redesign of the entire system.

To prevent fire or explosion in hazardous areas, verify that the maximum sheath temperature of the heating cable is below T-class or auto-ignition temperature of the gases present in those areas. For further information, see design documentation (e.g. TraceCalc Pro reports).

For the evaluation of the chemical resistance of MI heating cables (for corrosion aspects), refer to our product datasheets or contact Chromalox Isopad for assistance. Check the design specification to make sure the correct heating cable is installed on each pipe or vessel. Refer to Chromalox Isopad product literature to select an appropriate heating cable for each thermal, chemical, electrical and mechanical environment.

### **Storage**

- Store MI heating units in a clean, dry place.
- Protect the heating cable from moisture and mechanical damage.
- Storage below 10°C may result in surface condensation, potentially causing low insulation resistance.
- After extended storage, it is strongly recommended to measure the insulation resistance of MI heating units prior to installation, also refer to section 8.

### **3. Heating cable installation**

#### **Warning**

As with any electrical equipment or wiring installation that operates at line voltages, damage to heating cable and components, or incorrect installation that allows the penetration of moisture or contamination can lead to electrical tracking, arcing and potential fire hazard. In case of damage and later repair on site any unconnected heating cable end, exposed to the environment, must be sealed appropriately.

#### **3.1 Pre-installation checks**

##### **Check design recommendations:**

- Verify that you have all required engineering documents supporting the installation.
- Check for any special instructions in engineering documentation (e.g. cover with aluminum foil, use of metal mesh, fixation etc...).
- Verify that hazardous area information given in engineering documentation is compatible with the area classification.
- the material will be installed in.

##### **Check materials received:**

- Inspect heating cable and components for in-transit damage.
- Review the heating cable design and compare the list of designed materials to the catalogue numbers of heating cables and electrical components received to confirm that proper materials have been received on site. The heating cable type and hazardous area marking (if applicable) is printed on a tag label supplied with each heating element.
- Measure and note down the electrical resistance and the insulation resistance of the cable. Compare these values to those in the design documents (see section 8).

##### **Check equipment to be traced:**

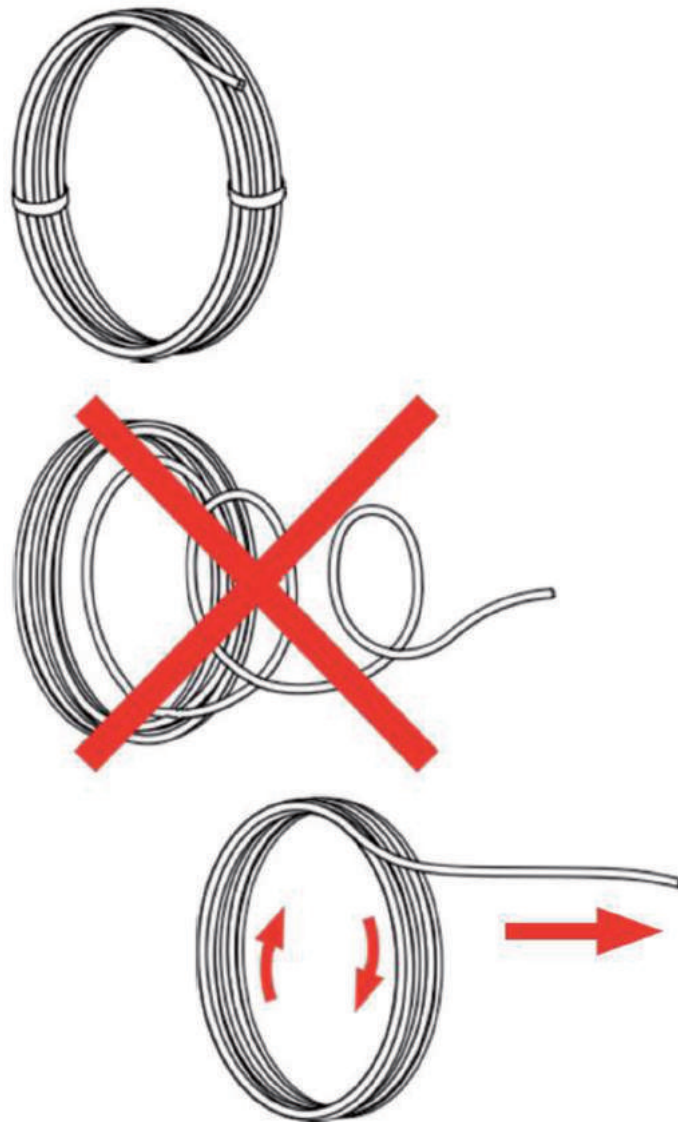
- Check identification, length and diameter of pipework/ vessel against the design documents. Also verify, that actual temperatures and insulation properties are in alignment with the design documentation.
- Ensure all pressure testing of pipework/ vessel is complete and final paint and pipe coatings are dry to touch.
- Walk the system and plan the routing of the heating cable on the pipe, including tracing of heat sinks. e.g. valves, flanges, supports, drains etc.
- Inspect piping for burrs, rough surfaces, sharp edges etc. which could damage the heating cable. Smooth off.
- or cover with layers of aluminum foil. At elevated sheath temperatures consider the use of stainless-steel foil. (e.g. KMV, FMV, KMIN).

- Surface areas where heat-tracing is to be installed must be reasonably clean. Remove dirt, rust and scale with a wire brush and oil and grease films with a suitable solvent.

### 3.2 Heating cable pulling and laying

Heating cable pulling tips:

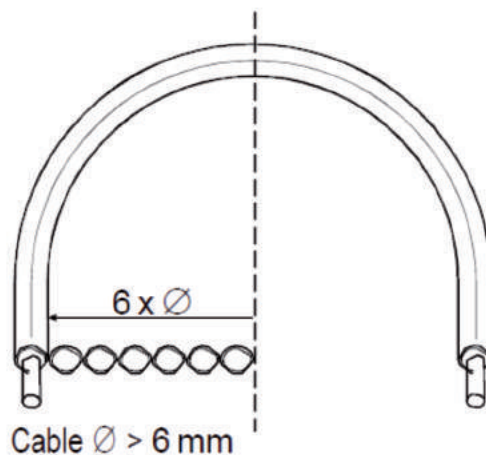
Figure 3: Importance of cable pulling direction:



- Avoid distortion of the cable and kinking.
- When pulling the heating cable, avoid:
  - > sharp edges
  - > excessive pulling force
  - > kinking and crushing running over it with equipment.

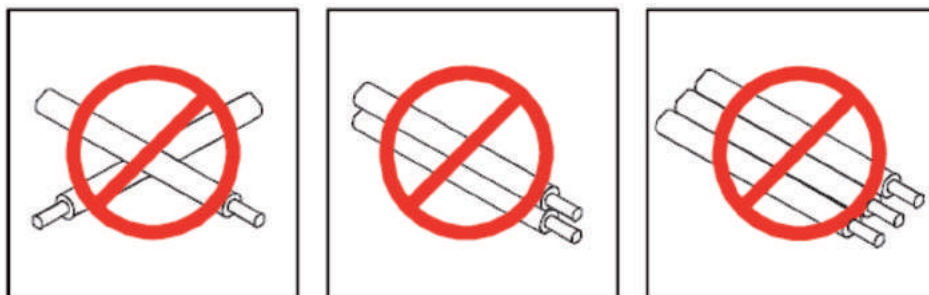
The minimum bending radius of the heating cable must be respected.

Figure 4 : Minimum bending radius of MI heating cables



- Do not repeatedly bend and straighten the cable.
- Keep heating cable strung loosely but close to the pipe being traced, to avoid interference with supports and other equipment.
- Add additional heating cable to trace the fittings and supports as required by the design specification or engineering documents.
- Leave the appropriate amount of heating cable at all power connection, splice and tee locations.
- Do not bend the cable within 150 mm of the hot to cold junction or remote terminations.
- When installing MI and other constant wattage heating cables, ensure that they do not overlap or cross. Doing so may lead to local over-heating and hazard of fire.

Figure 5 : Minimal spacing must be respected



Minimum cable spacing: 25 mm (lower spacings may be possible but require special attention and must be properly documented in the engineering documentation).

For installation in hazardous areas, the standard minimum spacing is 50 mm. This must be respected, unless lower spacings are specifically allowed in the engineering documentation.

Table 2: Typical allowances (in mm) per run of cable

NPS inch	DN mm	Light valve (flanged)	Light valve (threaded or welded)	Heavy valve (flanged)	Heavy valve (threaded or welded)	Typical pipe shoe	Flange pair	Field vari- ance
0.5	15	300	300	300	300	910	300	2%
0.75	20	460	300	460	300	910	300	2%
1	25	610	300	610	300	910	460	2%
1.5	40	760	460	910	460	910	460	2%
2	50	760	610	1060	610	910	460	2%
3	80	910	760	1220	760	910	610	3%
4	100	1220	910	1520	910	910	610	3%
6	150	1520	1060	1830	1060	910	610	3%
8	200	2140	1220	2440	1220	910	610	3%
10	250	2440	1520	3050	1520	910	910	3%
12	300	2750	1830	3660	1830	910	1060	3%
14	350	3050	2140	4270	2140	1370	1220	3%
16	400	3350	2440	4880	2440	1370	1370	3%
18	450	3660	2750	5500	2750	1370	1680	3%
20	500	3970	3050	6100	3050	1370	1830	3%
24	600	4580	3660	7320	3660	1370	2140	3%

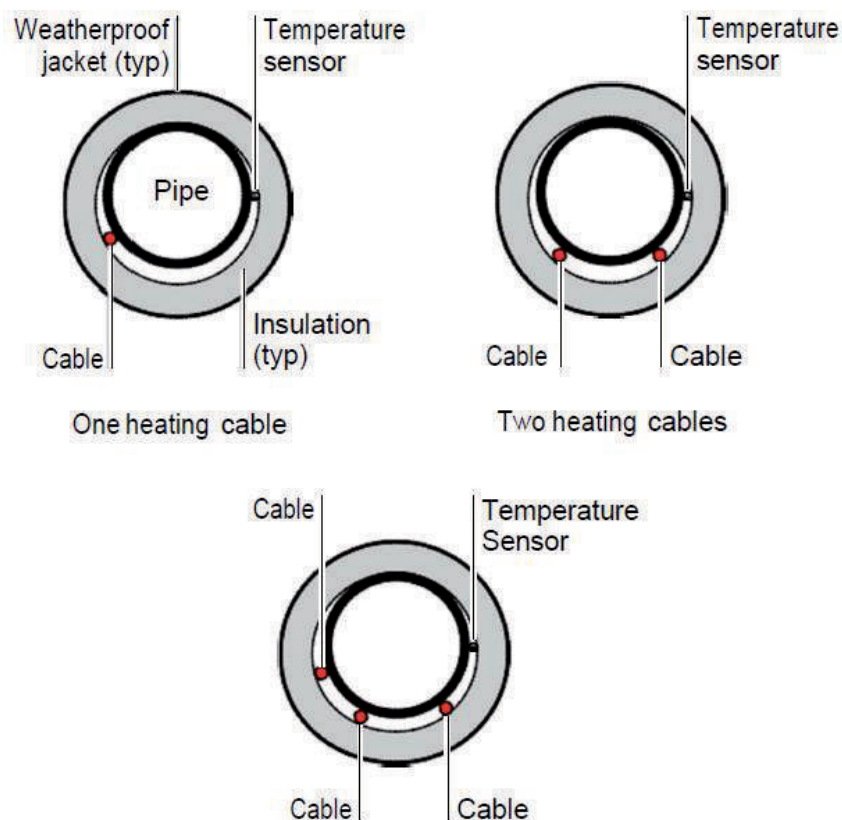
1. Allowances above are based on typically available fittings and supports, with an insulation thickness equivalent to the pipe insulation. Please refer to the engineering documentation for project specific allowances.
2. For pipes requiring more than one run of heating cable, apply the full allowance for each run of cable on each fitting or support as long as space allows. However, MI heating cables must not touch or overlap and the minimum spacing between the heating cables must be respected.
3. For some applications, it may be physically impossible to install all of the recommended heating cable directly on the fitting or support. In this case, install the excess heating cable on the pipe, on either side of the fitting or support, or distribute the additional heater length along the entire circuit length if a lower local temperature is acceptable. This constraint may be difficult for small pipes and/or multiple cable runs. If required, contact Chromalox Isopad for assistance.
4. The field variance is important to accommodate expansion and contraction of the heated equipment. Also refer to figures 12-14 for more detailed information.



### 3.3 Heating cable attachment

- Fix in place with metal bandings, tie wire or wire cloth band at a typical interval of 300 mm and additionally where necessary.
- The use of tie wire with softer sheath MI heating cables (like cupro-nickel KMCN) should be avoided, as the tie wire can damage the heating cable surface over time.
- Do not tighten tie wire, use wire cloth band wherever possible.
- The hot to cold junction should be secured with metal bands at a typical distance of 150 mm on either side of the joints.
- Cable must be installed and fixed such that movement of cable during its heating up cycles is permitted, but not to allow cable to move freely under its own weight. Other attachments (like aluminium tape or glass tape) may be used, if specified in the design documentation.
- The heating cables may be installed in straight, multiple runs as required by the design specification.
- On horizontal pipes fix on lower quadrant as shown below and not on bottom of pipe.

Figure 6 : Cable orientation on pipe



- On vertical pipe sections fix the heating cables equally distributed around the pipe circumference.
- Read the design documents, in particular concerning the need for cable allowances and regard the location of junction boxes/controllers before permanently attaching the cable to the pipe.

- Verify if the design documentation requires that the heating cables have to be covered by aluminum or stainless-steel foil before the insulation is applied.
- Installation on tanks typically requires additional fixing devices as pre-punched steel strips as shown below:

Figure 7: Typical cable layout on large surfaces like tank walls

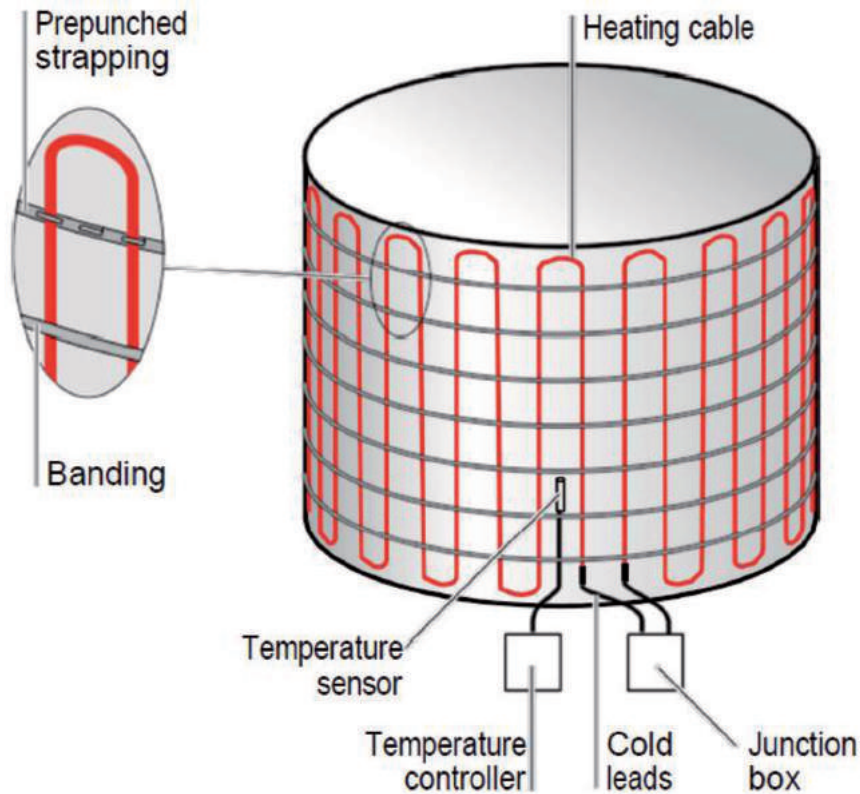
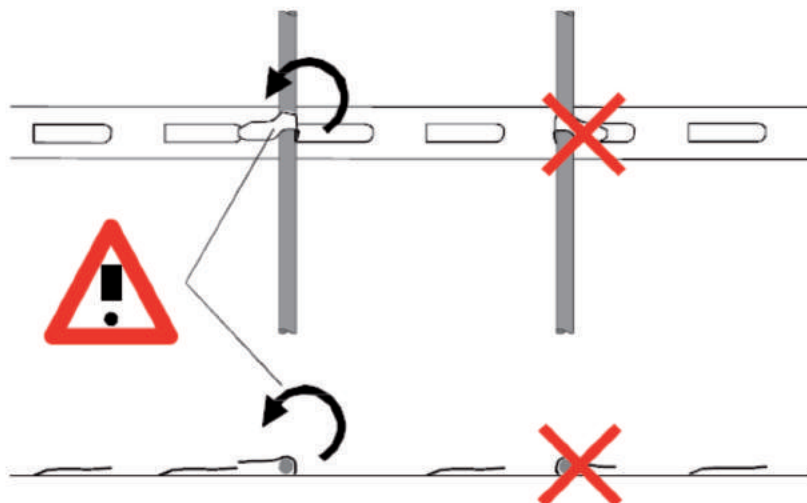


Figure 8: Fixing device: pre-punched metal strap



- Avoid sharp edges and properly seal penetration of MI cold lead cables through the insulation cladding.

### 3.4 Attachment materials

- Stainless steel pipe straps for different pipe dimensions up to 36 “.
- Stainless steel banding (30 m roll) together with stainless steel buckles (one per fixing) (e.g. MSP).
- Tie wire (e.g. RMI-TW) is especially suitable for the fixation on irregular shapes like pumps, valves etc.. The use of tie wire with softer sheath MI heating cables (like cupro-nickel KMCN) should be avoided where possible, as the tie wire can damage the heating cable surface over time, use wire cloth band wherever possible. For the installation of MI heating cables on metal meshes, tie wire may be used, but must not be tighten and should allow for free movement of MI heating cable during expansion and contraction.
- Pre-punched metal banding allowing fixed heater spacing, where multiple runs of cable are applied (e.g. ABV).
- Various types of metal meshes are available for installation on tanks, valves, pumps (e.g. mesh types FT-19 and FT-20)

### 3.5 Typical installation details

The following details show some principles of MI cable installation, using dual conductor cables. Single conductor cables follow the same principles, but typically form a loop. Attention must be given, for single conductor configurations, where both ends need to be terminated in the same power supply box.

- Where feasible, uncoil the heating cable and lay it alongside the pipe section to be traced. For shorter single conductor cable, to be installed in the form of a „hairpin“, it may be advantageous to unroll the heating cable, loop it, and then lay it alongside the pipe section so that both runs of cable can be installed simultaneously.

Figure 9: Uncoiling heating cable

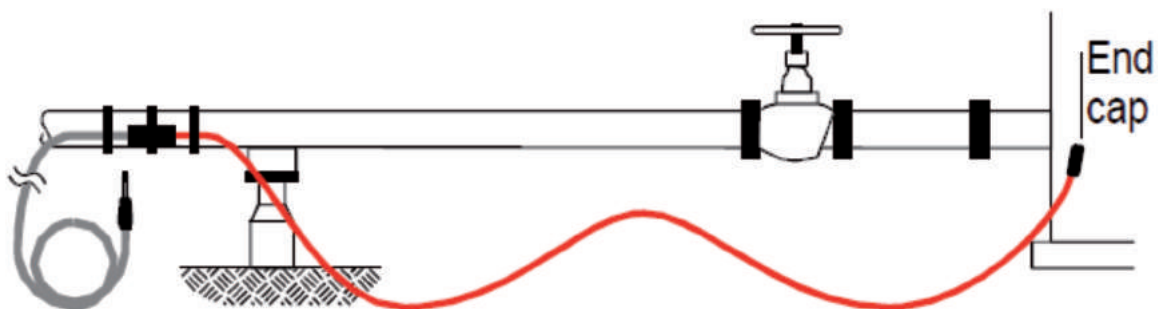
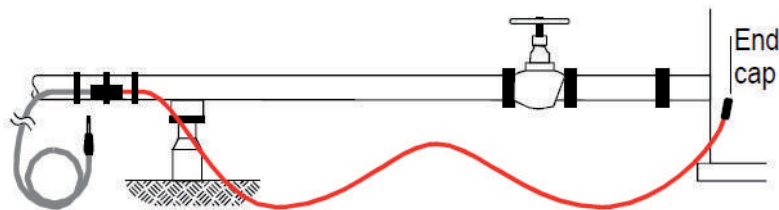




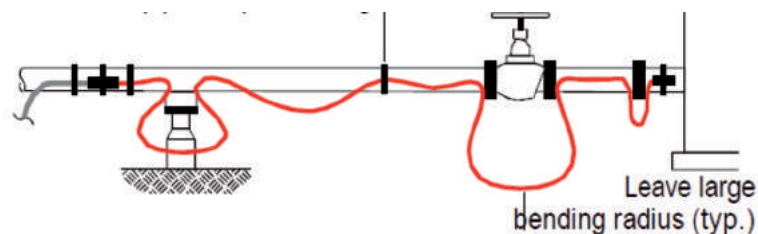
Figure 10: Attaching hot-cold joint and end cap



- Attach hot-cold joint to end of pipe nearest the power supply point, and the other end of heating cable to the other end of the pipe. Support hot-cold joint by attaching cable with pipe straps/banding at a distance of 6 inches (150 mm) on either side of joint. Secure joint itself to pipe with a pipe strap/band as shown in Figure 10.
- Fasten middle of heating cable to the halfway point of pipe leaving equal slack on either side.
- Attach heating cables to pipe with pipe straps/banding, tie wire or wire cloth band at 12-18 inches (300-450 mm) intervals. Tie wire should be snug but should not cut or indent the sheath.  
The use of tie wire with softer sheath MI heating cables (like cupro-nickel KMCN) should be avoided, as the tie wire can damage the heating cable surface over time, use wire cloth band wherever possible.

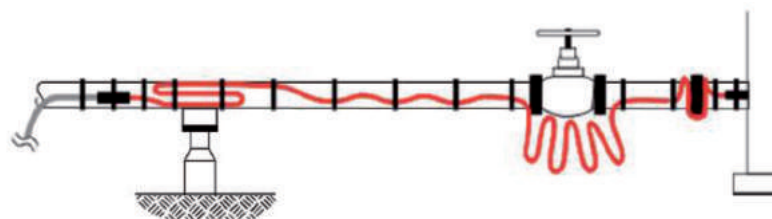
Figure 11: Allowances for valves, flanges, and pipe supports

Stainless steel pipe strap, banding, tie wire, wire cloth band, etc.



- Use tie wire or wire cloth band to hold cable to irregularly shaped objects such as valves or pipe supports.

Figure 12: Installing cable on valves and pipe supports



Allow cable to wave along pipe as per Figure 14 und 15. This allows for expansion and contraction of the heating cable as it heats up and cools down. Use up excess cable by waving along pipe and increasing amount used at each pipe support.

**Note:** Do not use up excess cable at one location. Distribute equally along pipe.

Figure 13: Completed MI heating cable installation

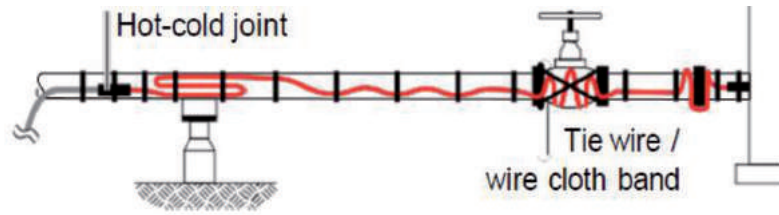


Figure 14: Pipe strap spacing

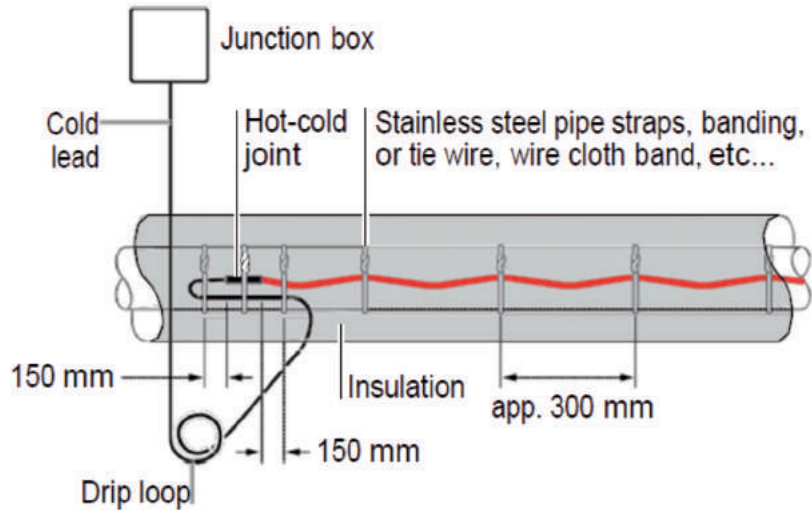
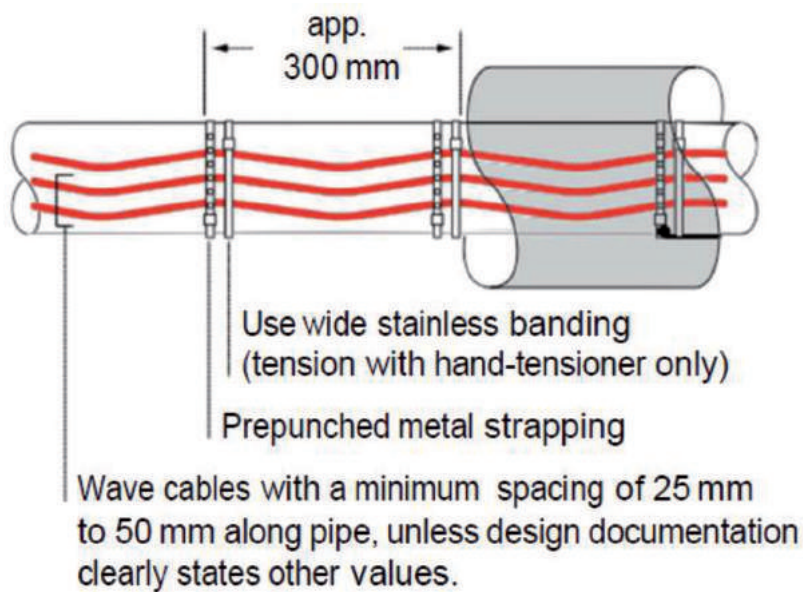


Figure 15: Fastening several runs of cable



→ Note:

Where several heating cables are required, a pre-punched metal strapping may aid the installation and consistent spacing of heating cables.

Figure 16a: Valves

For valve sizes 3 1/2" (90 mm) or smaller

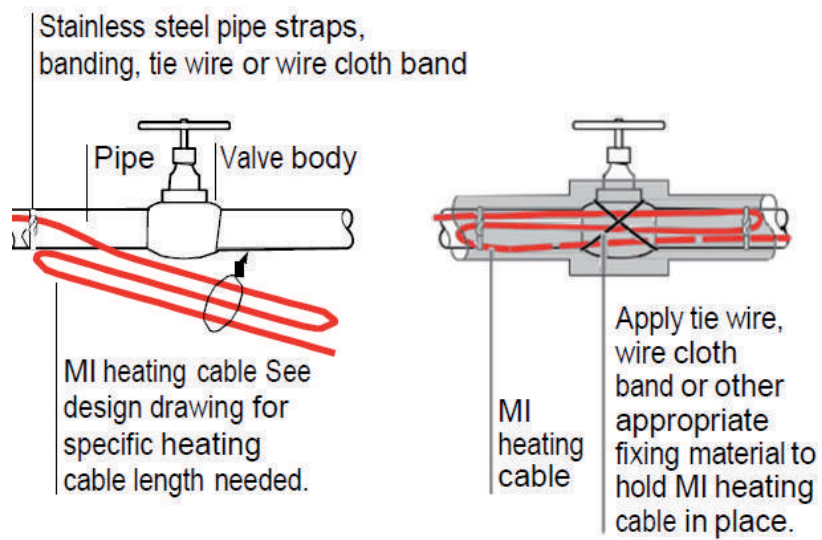
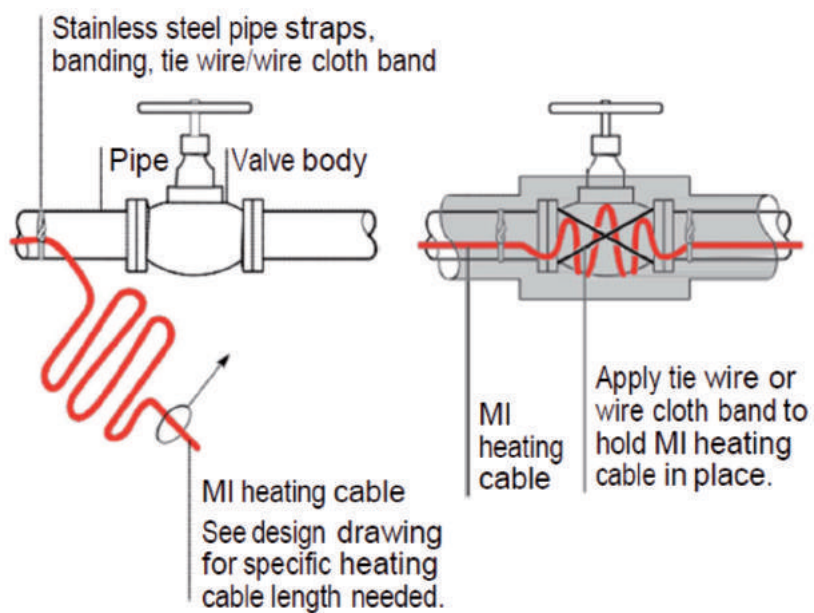


Figure 16b: Valves



→ The minimum spacing must be respected, unless design documentation clearly states other values, also refer to page 11, figure 5.

Figure 17: Installation at 90° elbow

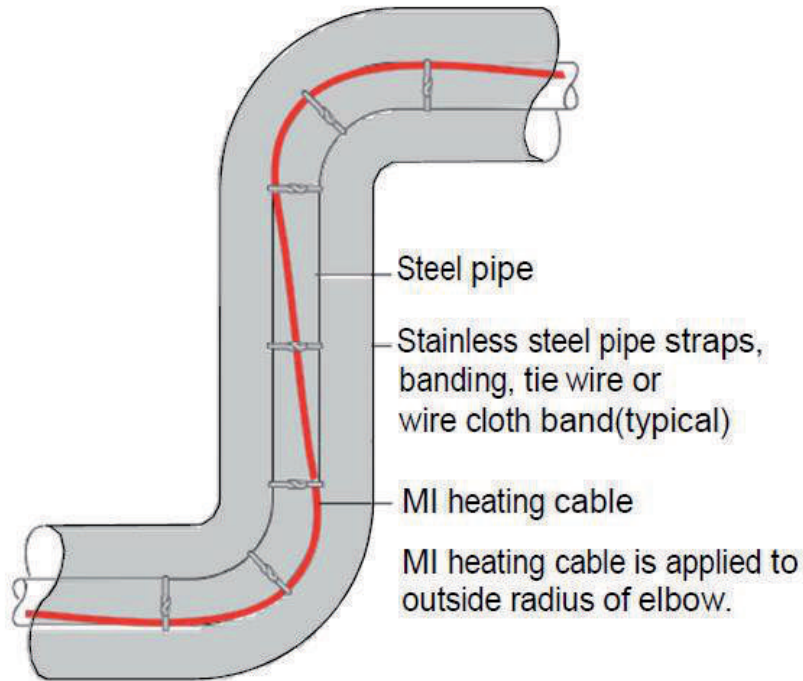


Figure 18: Flanges

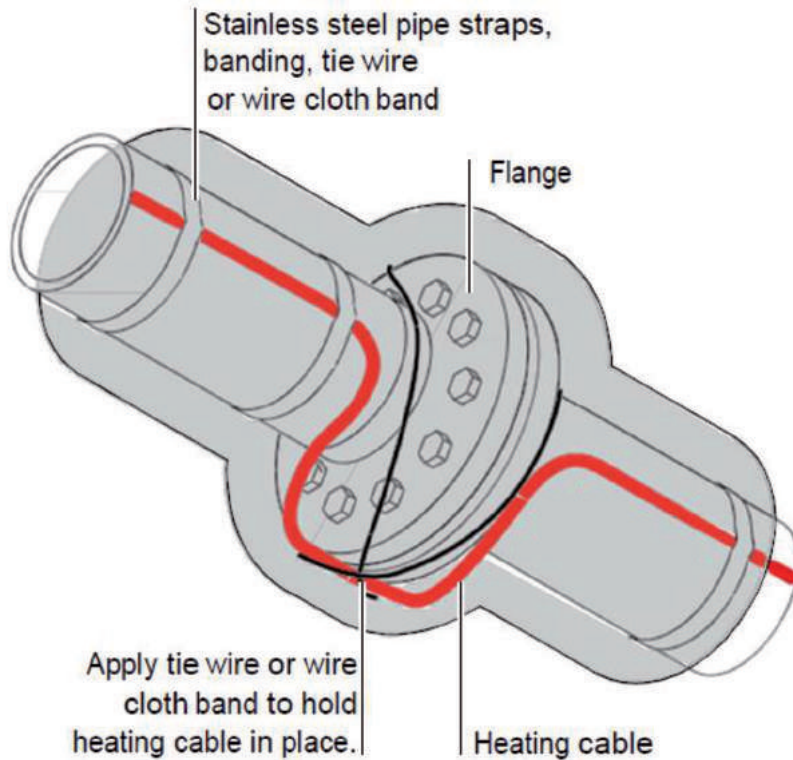


Figure 19: Cable layout over clamps and straps

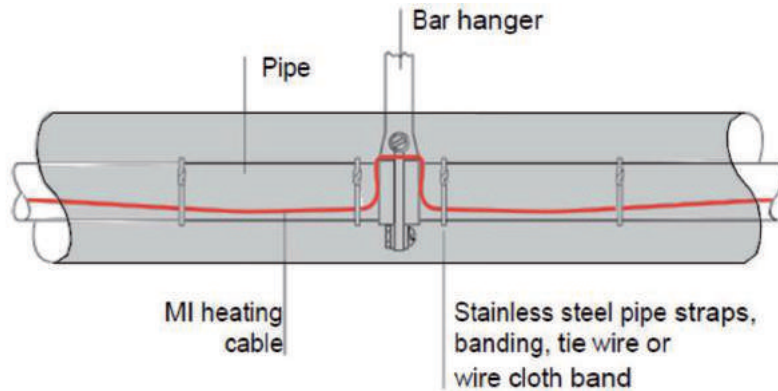
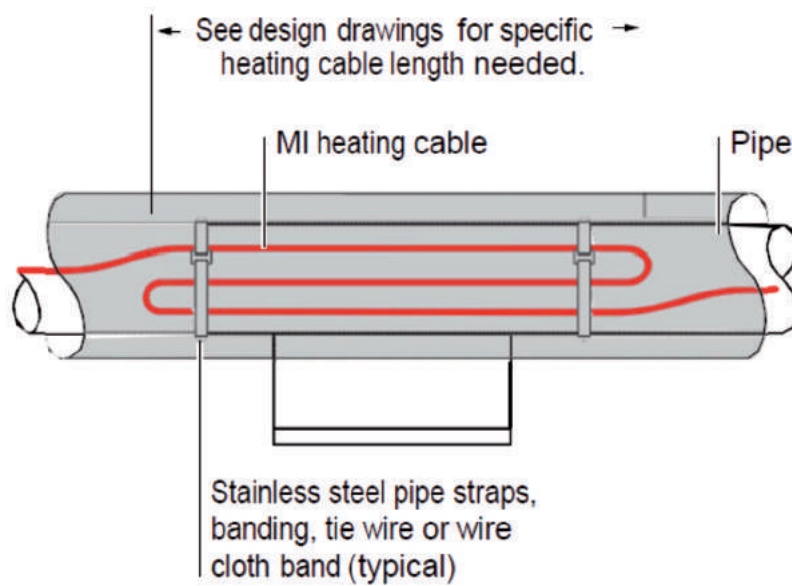
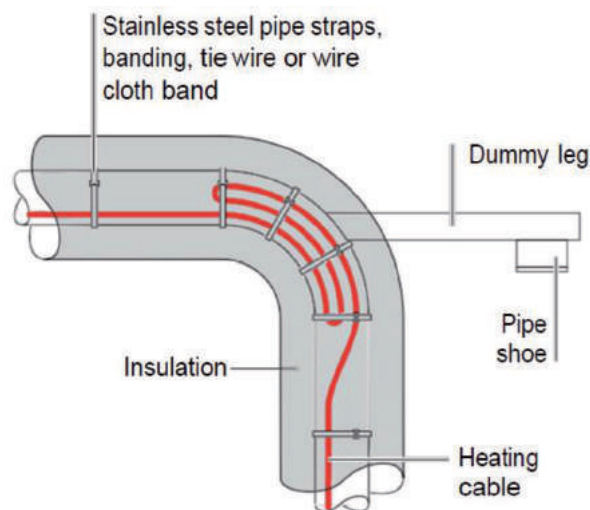


Figure 20 : Shoe and sleeve type support



→ The minimum spacing must be respected, unless design documentation clearly states other values, also refer to page 11, figure 5.

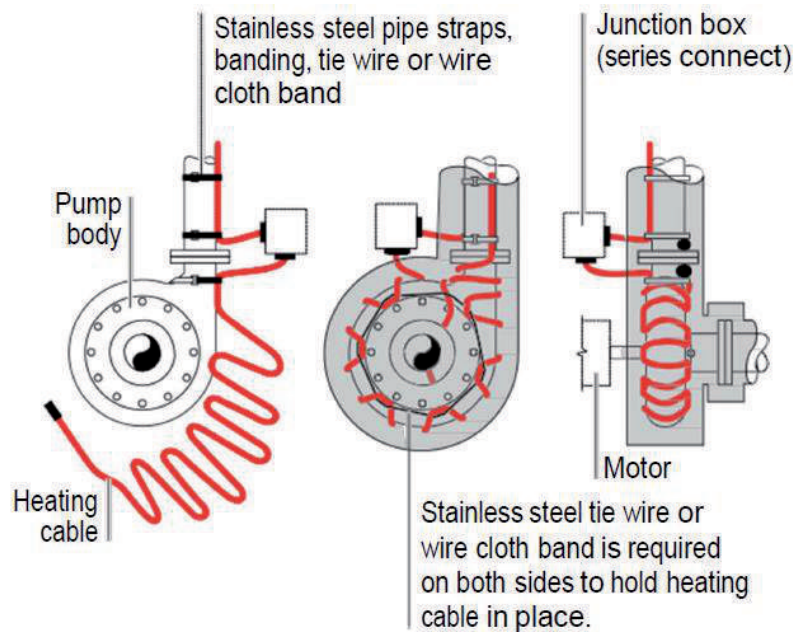
Figure 21: Dummy supports





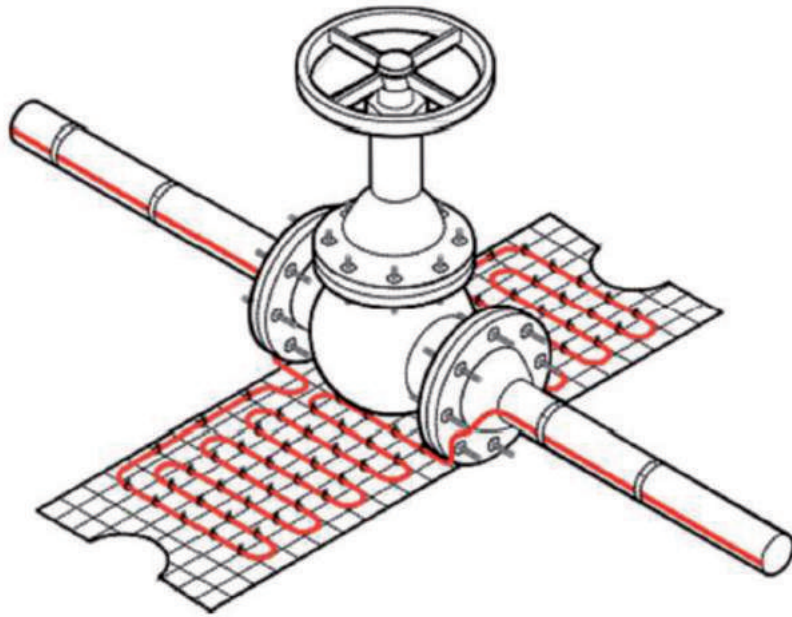
- The minimum spacing must be respected, unless design documentation clearly states other values, also refer to page 11, figure 5.
- Check drawings for dummy leg insulation.
- Pumps should have their own heating cable, separate from the connection box.

Figure 22: Pumps



- The minimum spacing must be respected, unless design documentation clearly states other values, also refer to page 11, figure 5.
- Cover the heating cable with metal foil or equivalent before applying insulation to ensure the cables do not become trapped in the insulation.
- **General note:**  
Trace pipe fittings as shown to allow easy maintenance.
- An alternative is the use of metal wire mesh cages.

Figure 23 : Cable applied on metal wire mesh



- Consult the design specification for the heat-tracing requirements of fittings and supports.
- The heating cable's minimum bend radius must be respected (refer to Table 1).
- The minimum spacing must be respected, unless design documentation clearly states other values, also refer to page 11, figure 5.

### 3.6 Heating cable allowances

All parts of a heat traced system that increase the surface area of the insulated pipe/ vessel or metallic fins that protrude out of the insulation (e.g. supports), will increase the overall heat loss. These areas of increased heat loss require compensation, either by using higher overall design safety factors or by the addition of extra cable length. In such cases sufficient cable should be added to at least enable removal of instruments, valves etc (“maintenance loop”).

For further details on individual allowances please refer to Chromalox Isopad design specification (e.g. heat design reports).

## **4. Components selection and installation**

### **4.1 General notes**

Use the Design Specification to select required components. Chromalox Isopad components must be used to satisfy Standards and Approval Body requirements and the Chromalox Isopad warranty to apply.

### **4.2 Component installation hints**

- On horizontal pipes locate junction boxes below pipe wherever possible.
- Locate junction boxes for easy access, but not exposed to mechanical abuse.
- Try to position junction boxes such, that power cable and heating cable entries point downwards to avoid water ingress in the insulation.
- Confirm junction box glands and stopping plugs are appropriate for application and fixed firmly in place.
- Route heating cable between junction box and the place where it enters the insulation cladding such, that the risk of mechanical damage is minimized.
- Do not strain heating cable as it exits/enters junction boxes and insulation entries.
- Ensure heating cable is fixed over pipe straps such as used for junction box support brackets so as to avoid potential mechanical damage:
- Cable joints (splices) should be located only in places, where cable is not bent or mechanically stressed.

## **5. Temperature control and limitation**

### **5.1 General rules**

Chromalox Isopad MI series heating cables are constant power output heaters and as such typically require temperature control, unless otherwise explicitly specified.

Good practice and local regulations may require additionally independent temperature limitation devices; the selection of such devices also depends on environmental conditions.

- Value of setpoint can be secured against unintended change.
- Follow the installation instructions supplied with the thermostat and/or the limiter.
- Use a proper wiring diagram for the heating cable layout and control method desired.

### **Warning**

As with any temperature measurement equipment, possible falsification of true temperatures due to increased heat loss caused by the sensor itself might lead to inaccurate temperature readings or unsafe tripping of safety limiters. The setpoint might need to be adjusted accordingly.



Contact Chromalox Isopad or the supplier of the limitation device in order to obtain detailed information concerning offsetting of limitation devices.

## **5.2 Sensor placement: Temperature control device**

The choice of the right location for the controller sensor depends on, but is not limited to following aspects:

- Flow direction of the fluid, best location: downstream.
- Impact of heat sinks such as supports etc., best location: close to heat sink.
- Chimney effect on large size vertical pipes, best location: on the bottom.
- Accessibility for maintenance purposes, best location: at ground level.
- Impact of other heat sources, sun etc., best location: at cold side.

For details please refer to the engineering documentation.

## **6. Thermal insulation and marking**

### **6.1 Pre-insulation checks**

- Visually inspect the heating cable and components for correct installation and possible damage. (See Section 10 if damaged.)
- Insulation resistance testing (as per Section 8) is strongly recommended prior to covering the pipe with thermal insulation.
- Discharge cable immediately after insulation test.

### **6.2 Insulation related requirements**

- Correct temperature maintenance requires properly installed and dry thermal insulation.
- The sheath temperature of an MI heating cable can be substantially above the temperature of the pipe/equipment to be traced. Verify that the max. sheath temperature of the heating cable is compatible with the insulations materials to be used. Contact your Chromalox Isopad representative if you have any questions.
- Check that all pipes, including fittings, wall penetrations and other areas are completely insulated.
- Thermally insulate and weatherproof to design specification.
- Ensure that heating cable is not damaged during installation of cladding by drills, self tapping screws and sharp edges of cladding etc.
- In all stabilized design cases, the characteristics of the installed thermal insulation (material and thickness) must comply with the design requirements

and be verified and confirmed in the documentation, to ensure compliance with approvals requirements.

Make sure, that under no circumstances any insulation material is being placed between heated surface and cable, thus disabling intended heat flow to the substrate, which may result in possible overheating of the cable.

Good practice requires wrapping of the installed heating system with an appropriate metal foil prior to installation of the thermal insulation. This is especially so at places where intimate contact between heat-tracing cable and heated surface is not possible, such as valves or flanges where a suitable heat sink of temperature rated metal foil and wire cloth band may be used to improve heat-transfer. Also refer to design documentation, which may specify.

this requirement as well as material type, thickness etc... Further details may also be described in local insulation standards.

Check that all MI cables (e.g KMCN) are mechanically protected and properly sealed at all places where they penetrate the insulation cladding.

Ensure that all places are sealed where thermostat capillaries, sensor cables or support brackets etc. exit the cladding.

### 6.3 Marking

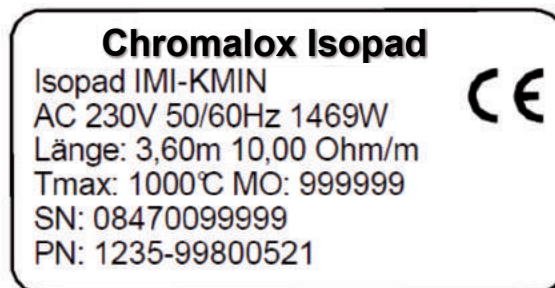
Install "Electric Traced" signs on the insulation cladding along piping at suitable intervals (3-5 m intervals recommended) on alternate sides as a warning.

Mark on outside of insulation the location of any heating cable components like connection points, splices etc.

MI-Heating unit identification:

Each MI heating unit is supplied with an identification tag with important details about the type and operation conditions of the unit.

Figure 25: Typical MI identification tag – example (non-hazardous areas)



## **7. Power supply and electrical protection**

→ Do not energize cable when it is coiled or on the reel.

### **7.1 Earth connection**

→ Bond the metal sheath of the heating cable to a suitable earth terminal.

### **7.2 Electrical loading**

Size overcurrent protective devices according to the design specification and/or local standard practices.

### **7.3 Residual current (earth fault) protection**

Chromalox Isopad requires the use of a 30mA residual current device to provide maximum safety and protection. When design results in a higher leakage current, a maximum 300mA RCD may be used. All safety aspects need to be proven. Also refer to local standards.

Special regard should be given to electrical safety in IT power networks where use of RCD is restricted. For any heating cables installed in a hazardous area, the use of residual current devices is mandatory by the electrical codes and standards.

### **7.4 Isolation from power supply**

For any heating cables installed in hazardous areas a means of isolation all line conductors from the supply is recommended.

### **7.5 Circuit marking**

Make sure for all hazardous area installations, that system is properly marked with a heating cable tag.

## **8. System testing**

### **WARNING:**

Fire hazard in hazardous locations. Megger tests can produce sparks. Be sure there are no flammable vapors in the area before performing this test (hot work permit).

### **8.1 Testing of insulation resistance and conductor resistance**

Chromalox Isopad recommends insulation resistance test.

- before installing heating cable, while the cable is still on the reel.
- before installing thermal insulation
- prior to initial start-up/ after completion of thermal insulation
- as part of the periodic maintenance (see Section 9.2).

The heating circuit electrical resistance needs to be measured and compared to the design documentation before initial startup.

### **8.2 Test method for insulation resistance testing**

After completing heating cable installation, the insulation resistance between the conductor and the outer sheath has to be tested (see Section 6.1).

All mineral insulated heating cables:

Use a minimum testing voltage of 500V and not more than 1000 V DC (between conductor and metal sheath).

Minimum readings should be  $\geq 20 \text{ M}\Omega$  for new heating units. The installer should record the values for each circuit on the installation record sheet.

## 9. Operation, Maintenance and Repairs

### **WARNING:**

Heating cables are capable of reaching high temperatures during operation and can cause burns when touched. Avoid contact when cables are powered. Thermally insulate the traced pipe or equipment before energizing the cable. Use only properly trained personnel.

### 9.1 Heating cable operation

- Temperature exposure to the cable must be within the range specified in the product literature. Exceeding the limitations will shorten the service life and may permanently damage the heating cable and/or connections.
- Pipe insulation must be complete and dry to maintain the required temperature.

### 9.2 Inspection and maintenance

- **Visual inspection:** heating cable exposed to ambient and pipe insulation should be checked periodically to make sure, that no mechanical damage has occurred.
- **Insulation testing:** The system should be tested regularly. Check in advance, whether hazardous area conditions allow insulation testing. A hot work permit might be required. When measuring the insulation resistance from the main supply panel, the dielectric test is performed between L (live) and PE (earth).
- **Functionality test of electrical protection:** Circuit breaker and residual current device should be tested at least once a year or according to manufacturer's instructions.
- **Functionality test of temperature control systems:** Depending on how essential temperature control is regarding process requirements and how critical temperature limitation is for accordance with hazardous area requirements, test should be carried out at regular intervals.
- The **Installation Record Sheet** on the following pages should be completed during maintenance of each circuit in your system. Freeze protection systems should be measured before the winter months each year (see section 8).
- **Temperature maintenance systems** should be tested at least twice a year.

### 9.3 Piping systems repair and maintenance

- Isolate heating cable circuit and protect the heating cable from mechanical or thermal damage during pipe repair work.
- Check heating cable installation after pipe repairs and make sure, that thermal insulation is restored, following the recommendations in Section 8. Check correct functioning of all relevant electrical protection systems.

## 10. Trouble Shooting

**WARNING:**

Damage to cables or components can cause sustained electrical arcing or fire. Do not energize heating cables that have been damaged. Damaged heating cable or terminations must only be repaired or replaced by qualified personal. Contact Chromalox Isopad for assistance.

- It should be carefully evaluated whether the severity of the damage allows on-site repair or whether the entire heating cable needs to be replaced.

Also refer to the Troubleshooting guide on the following pages. If the problem persists after following the guidelines, contact Chromalox Isopad.

## Installation Record Sheet

### Heating Cable Installation Record

Installation company :		Installer:																						
Project / Site name:																								
Area name:																								
<table border="1" style="width: 100%; border-collapse: collapse;"> <thead> <tr> <th style="width: 60%;">Value/Remarks</th> <th style="width: 15%;">Date</th> <th style="width: 25%;">Initials</th> </tr> </thead> <tbody> <tr> <td>Heating circuit number:</td> <td></td> <td></td> </tr> <tr> <td>P &amp; ID -number:</td> <td></td> <td></td> </tr> <tr> <td>Drawing number:</td> <td></td> <td></td> </tr> <tr> <td>Panel/Circuit breaker number:</td> <td></td> <td></td> </tr> <tr> <td>Heating cable type:</td> <td></td> <td></td> </tr> <tr> <td>Cable length (m):</td> <td>loop 2 x:        m, star 3 x:        m</td> <td></td> </tr> </tbody> </table>				Value/Remarks	Date	Initials	Heating circuit number:			P & ID -number:			Drawing number:			Panel/Circuit breaker number:			Heating cable type:			Cable length (m):	loop 2 x:        m, star 3 x:        m	
Value/Remarks	Date	Initials																						
Heating circuit number:																								
P & ID -number:																								
Drawing number:																								
Panel/Circuit breaker number:																								
Heating cable type:																								
Cable length (m):	loop 2 x:        m, star 3 x:        m																							

	Required value	Actual value	Signature
<b>1 Visual inspection</b>			
Minimal allowed spacing	mm		
Minimal bending radius	mm		
Temperature sensor properly installed on the pipe and control temperature is set	yes		
Sensor of temperature limiter properly installed and set according to design specification	yes		
<b>2 Before commencing of thermal insulation works</b>			
Insulation resistance test voltage (V DC)	1000 V DC		
Insulation resistance test before thermal insulation (MΩ)	> 20 MΩ		
Loop resistance	ohms		
Average pipe temperature when measuring loop resistance:	°C		
Cable covered with metal foil at flanges, valves, metal wire mesh cages etc., as per requirements in design documentation	yes		
<b>3 After finalization of thermal insulation works</b>			
Cables are sealed and protected at entries into insulation cladding	yes		
Thermal insulation material and thickness meet designed values	yes		
Warning labels installed on cladding every 5 m and at components	yes		
Insulation resistance test voltage V DC	1000 V DC		
Insulation resistance test after insulation	MΩ		
<b>4 Prior to energizing of the cable</b>			
Circuit feeding box marked properly	yes		
Control temperature set to setpoint	°C		
Limiter set to trip value and protected against changes	°C		
Insulation resistance test voltage V DC	1000 V DC		
Insulation resistance test at commissioning	MΩ		
Circuit voltage at feeding box Ph-Ph, Ph-N for 3 phase	V		



**Symptom A: Insulation resistance less than expected**

Probable Causes	Corrective actions
1 Rainy or high humidity	1 Dry tails and face of seal
2 Nicks or cuts in heating cable sheath, with moisture present	2, 3, 4 Visually inspect cable for damage, especially at elbows, flanges, and around valves. If damaged, repair or replace heating cable. Inspect power connection box for moisture or signs of tracking. Dry out connections and retest.
3 Kinked or crushed heating cable.	
4 Arcing created by damage to the heating cable.	
5 Physical damage to heating cable is causing a direct short.	5 Check for visual indications of damage around the valves, pump, and any area where there may have been maintenance work. Look for crushed or damaged insulation along the pipe. Replace damaged sections of heating cable.
6 Presence of moisture in terminations or connections	6 Dry out cold lead and/or connections and replace termination if necessary.
7 Damaged termination	7 Replace termination
8 Moisture in junction boxes	8 Check and replace seals on junction boxes

**Symptom B: Circuit breaker trips**

Probable Causes	Corrective actions
1 Circuit breaker undersized	1 Recalculate circuit load current. Resize breaker as required
2 Defective circuit breaker	2 Repair or replace breaker
3 Short circuit in electrical connections	3 Eliminate short circuit. Thoroughly dry connections
4 Excessive moisture in connection boxes	4 Eliminate short circuit. Thoroughly dry connections
5 Nicks or cuts in heating cable sheath, moisture present	5 Repair damaged section or replace heating cable
6 Kinked or crushed heating cable	6 Repair damaged section or replace heating cable
7 Defective RCD	7 Replace RCD
8 Excessive earth leakage current, RCD trips	8 Check insulation resistance. If within acceptable range, evaluate electrical design for compatibility with RCD used.

**Symptom C: Power output appears correct but pipe temperature is below design**

Probable Causes	Corrective actions
1 Wet or missing insulation with proper weather-proofing	1 Remove wet insulation and replace with dry insulation and secure it
2 Insufficient heating cable on valves, maintain temperature at flanges, supports, pumps, and other heat sinks	2 Confirm compliance with system design. (If valve, flange, and pipe support types and quantities have changed, additional heating cable may be required.)
3 Temperature controller set incorrectly	3 Reset temperature controller
4 Improper thermal design used	4 Contact your Themocoax Isopad representative to confirm the design and modify as recommended
5 Temperature sensor in wrong location	5 Confirm that sensor is in the correct location
6 Low fluid temperature entering pipe	6 Verify temperature of fluid entering pipe



**Symptom D: Power output is zero or incorrect**

Probable Causes	Corrective actions
1 No input voltage	1 Repair electrical supply lines and equipment
2 Temperature controller wired in the normally open (N.O.) position	2 Confirm wiring using the normally closed (N.C.) terminals so that contacts close with falling temperature
3 Limiter has tripped	3 Check the reason for the limiter trip. Resolve problem and reset limiter.
4 Broken or damaged heating element, hot-cold joint, end cap, or broken tail	4 Repair or replace heating cable
5 Wrong cable used	5 Verify installation as per design and replace cable if necessary
6 Improper voltage used	6 Verify voltage and connect to proper voltage if necessary
Locate faults by the following steps:	
1 Visually inspect the power connections, splices and end seals for correct installation	3 Look for crushed or damaged insulation and cladding along the pipe
2 Look for signs of damage at: a) Valves, pumps, flanges and supports b) Areas where repairs or maintenance work has been carried out recently	4 If after 1, 2 and 3 above the fault has not been located, then consult Thermocoax Isopad for further assistance

**Authorized Concession KMV/KMIN**


Articlenumber	
Description	
Customer	
Drawing number	
Custom application description	
Maximum Withstand Temperature inside application <sup>(1)</sup>	
Minimum cable spacing	
Minimum bending radius	


(1) The hot-cold junction used in a heating unit may lead to temperature limits below the limit of the heating cable. Contact **Chromalox Isopad** if the exposure temperature exceeds values given in the tables above for more detailed instructions how the unit can be installed under those circumstances.


Signature Chromalox Isopad design engineer + firm stamp

## **11. Special Conditions for Safe Use**

- (1) The maximum withstand temperature for the various cables are indicated below:
    - B 200°C for copper sheathed cables
    - B 400°C for cupro-nickel sheathed cables
    - B 600°C for brazed stainless steel and Inconel sheathed cables
    - B 800°C for welded stainless steel, Inconel
  - (2) The minimum installation temperature is -50°C.
  - (3) The maximum supply voltage between the heating element conductor and heating cable sheath for copper and cupro-nickel cables, stainless steel and Inconel sheathed cables is 300 / 500 Vac.
  - (4) The maximum voltage will depend on the jointing method used and must be assessed as part of any apparatus certification incorporating these cables.
  - (5) The minimum cable spacing must not be less than 25mm.
  - (6) The minimum bend radius is 6 x the cable diameter.
  - (7) The integral leads shall be suitable terminated and protected from impact.
  - (8) Seals utilizing RMX putty must not be operated at temperatures exceeding 85°C and may only be used on cables with copper, cupro-nickel and stainless steel sheathes.
  - (9) When PVC sleeving is used the operating temperature must not exceed 85°C.
  - (10) If a protective copper conductor is fitted it shall be connected to the pot by Chromalox Isopad GmbH.
  - (11) An electric strength test at  $2U + 500V$  for one minute without breakdown shall be carried out on the completed assembly.
- ( see also pages 6 & 7 )

 Our products satisfy the requirements of the relevant European Directives.

 Unsere Produkte erfüllen die Anforderungen der zutreffenden europäischen Richtlinien.

 Nos produits répondent aux exigences des directives européennes appropriées

© 2021 CHROMALOX ISOPAD  
1235-OMH58601EN R21-0

**TC-E B.V. (authorized Isopad distributor)**

Nieuwland Parc 314c  
2952 DD Alblasterdam  
The Netherlands  
Tel: +31 (0) 183 20 10 88

Mail to: [sales@tc-e.nl](mailto:sales@tc-e.nl)  
Web: [www.iss-heating.com](http://www.iss-heating.com)  
[www.tc-e.nl](http://www.tc-e.nl)



ISOPAD is a trademark of CHROMALOX ISOPAD GmbH or its affiliates.  
ISOPAD ist ein eingetragenes Warenzeichen von CHROMALOX ISOPAD GmbH  
oder ihren Tochtergesellschaften.  
ISOPAD est une marque déposée de CHROMALOX ISOPAD GmbH ou ses affiliées.